

A2D200-AH18-01

AC axial fan

sickled blades (S series)



ebm-papst Mulfingen GmbH & Co. KG

Bachmühle 2

74673 Mulfingen

Phone: +49 7938 81-0

Fax: +49 7938 81-110

www.ebmpapst.com

info1@de.ebmpapst.com

A2D200-AH18-01

AC axial fan

sickled blades (S series)

Technical features

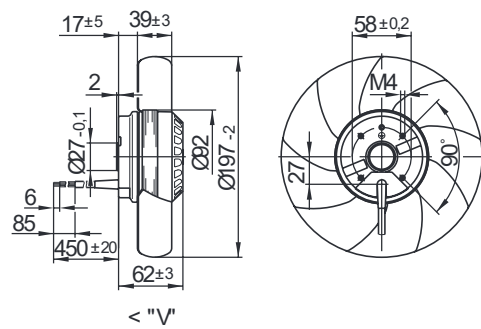
Leakage current	< 0,75 mA
Size	200 mm
Operation mode	Continuous operation (S1)
Direction of air flow	"V"
Insulation class	"B"
Cable exit	Lateral
Bearing-motor	Ball bearing
Mass	1.6 kg
Material of electronics housing	Rotor: Coated in black
Material of impeller	Sheet steel, coated in black
Number of blades	9
Type of protection	IP 44
Protection class	I
Approval	CCC

A2D200-AH18-01

AC axial fan

sickled blades (S series)

Product drawing



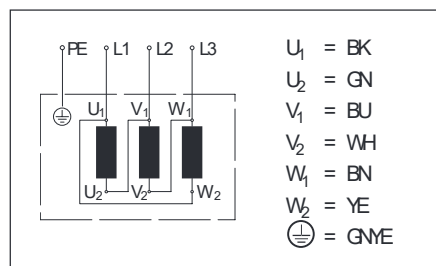
A2D200-AH18-01

AC axial fan

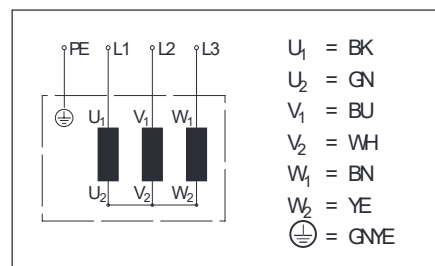
sickled blades (S series)

Connection screen

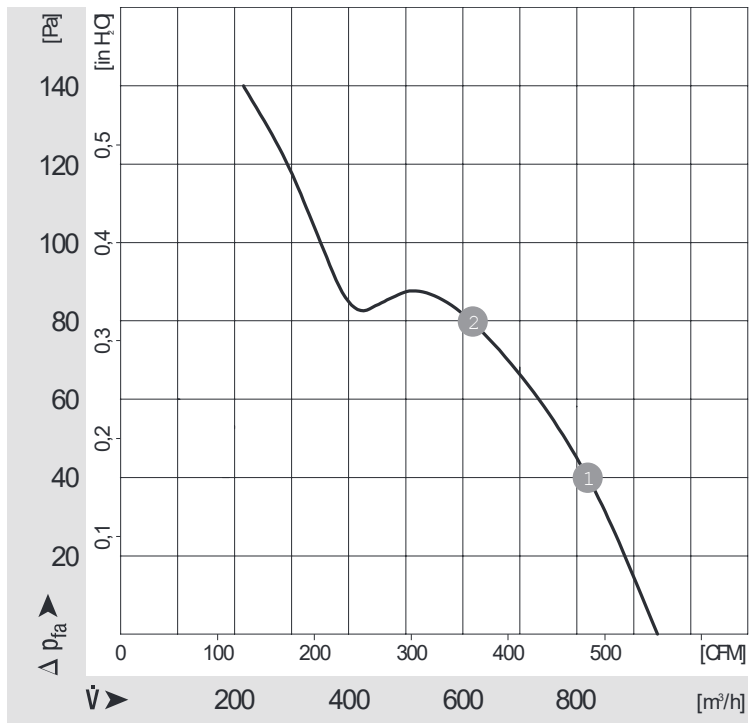
Delta (3~ 230 VAC)



Star (3~ 400 VAC)



Charts: Air flow 50 Hz



	n	P₁	I
	[min ⁻¹]	[W]	[A]
1	2540	70	0.17
2	2470	74	0.17

A2D200-AH18-01

AC axial fan

sickled blades (S series)

Charts: Air flow 60 Hz

