



# ENAPART



93 S Railroad Avenue Unit C  
Bergenfield NJ 07621 USA  
[www.enapart.com](http://www.enapart.com)  
[sales@enapart.com](mailto:sales@enapart.com)



Via del Canneto 35,  
Borgosatollo, Brescia - Italia  
[www.enapart.it](http://www.enapart.it)  
[vendite@enapart.it](mailto:vendite@enapart.it)



Barbaros Mah. Ihlamur Bul. Aĝaoĝlu  
My Newwork No:3/15 Ataşehir / İstanbul  
[www.enapart.net](http://www.enapart.net)  
[satis@enapart.net](mailto:satis@enapart.net)



PRIVADA 10 B SUR #3908 COL.  
ANZUREZ, C.P. 72530, PUEBLA, PUE  
[www.enapart.com.mx](http://www.enapart.com.mx)  
[sales@enapart.com.mx](mailto:sales@enapart.com.mx)



Friedrich-Ebert-Anlage 36, 60325  
Frankfurt am Main, Germany  
[www.enapart.de](http://www.enapart.de)  
[anfrage@enapart.de](mailto:anfrage@enapart.de)



4 boulevard Carnot, 95400  
villiers-le-bel, Paris, France  
[www.enapart.fr](http://www.enapart.fr)  
[sales@enapart.fr](mailto:sales@enapart.fr)



65049, ОДЕСА, ВУЛИЦЯ ІВАНА  
ФРАНКА, БУДИНОК 55, ПОВЕРХ 3  
[www.enapart.com.ua](http://www.enapart.com.ua)  
[sales@enapart.com.ua](mailto:sales@enapart.com.ua)



MUNICIPIUL BUCUREȘTI, SECTOR 3,  
B-DUL BASARABIA, NR.250, CORP P+5  
[www.enapart.ro](http://www.enapart.ro)  
[sales@enapart.ro](mailto:sales@enapart.ro)



〒584-0023 大阪府富田林市若松町  
東2丁目2番16号  
[www.enapart.co.jp](http://www.enapart.co.jp)  
[sales@enapart.co.jp](mailto:sales@enapart.co.jp)



PLAZA NUESTRA SEÑORA DE LAS  
NIEVES 12 ,LOCAL ,50012,ZARAGOZA  
[www.enapart.es](http://www.enapart.es)  
[ventas@enapart.es](mailto:ventas@enapart.es)



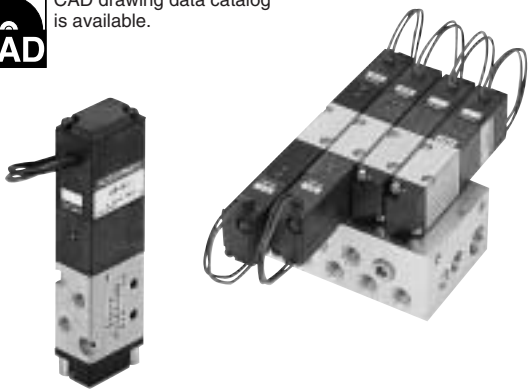
Складова база „Онгъл“, Склад А2, п.к.  
4006, гр. Пловдив, България  
[www.enapart.bg](http://www.enapart.bg)  
[sales@enapart.bg](mailto:sales@enapart.bg)



3 Austin Mews, High Street, Hemel  
Hempstead, HP1 3AF , United Kingdom  
[www.enapart.co.uk](http://www.enapart.co.uk)  
[sales@enapart.co.uk](mailto:sales@enapart.co.uk)



CAD drawing data catalog  
is available.



# KOGANEI

## VALVES GENERAL CATALOG

# SOLENOID VALVES 110 SERIES INDEX

SOLENOID VALVES 110 SERIES

|   |     |
|---|-----|
| Features  | 293 |
| Basic Models and Configuration                              | 295 |
| 110 Series  |     |
| Specifications  | 297 |
| Cylinder Operating Speed and Flow Rate                      | 299 |
| Tandem Solenoid Valve Order Codes                           | 300 |
| Solenoid Valve, Air-piloted Valve Order Codes               | 301 |
| Manifold Order Codes  | 302 |
| Operating Principles and Symbols, Major Parts and Materials | 303 |
| Dimensions of Solenoid Valve                                | 304 |
| Dimensions of Manifold                                      | 309 |
| Made to Order   | 315 |
| Plug Connector  |     |
| DIN Connector   |     |
| LED Indicator   |     |
| Built-in Interface Unit                                     |     |
| Air-piloted Valves 110 Series                               |     |
| Handling Instructions and Precautions                       | 321 |
| PC Board Manifold 110 Series                                |     |
| Specifications  | 323 |
| Order Codes   | 324 |
| Dimensions  | 325 |
| Handling Instructions and Precautions                       | 328 |



**Caution**

Before use, be sure to read the "Safety Precautions" on p. 31.

## Reliability & Versatile Applications

# SOLENOID VALVES 110 SERIES

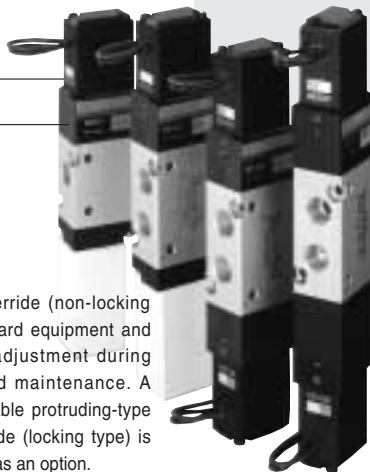
The 110 series Solenoid Valves, which achieve highly reliable, powerful, and low current basic performance in a compact, thin body, offer a simple and flexible standard type, and a full-option type with advanced maintenance features, to become still more user-friendly.

### Standard type

**Its clean lines emphasize basic performance, for**

**low-cost and versatile applications.**

- With a varistor for the AC type, and a flywheel diode for the DC type, the solenoid is equipped with excellent surge suppression measures.



- A manual override (non-locking type) is standard equipment and offers easy adjustment during assembly and maintenance. A fingertip-operable protruding-type manual override (locking type) is also available as an option.

- Equipped with an easy-to-handle plug connector for fast wiring installation and removal. Available in a straight type and L type, both are equipped with LED indicators for easy confirmation of operations.



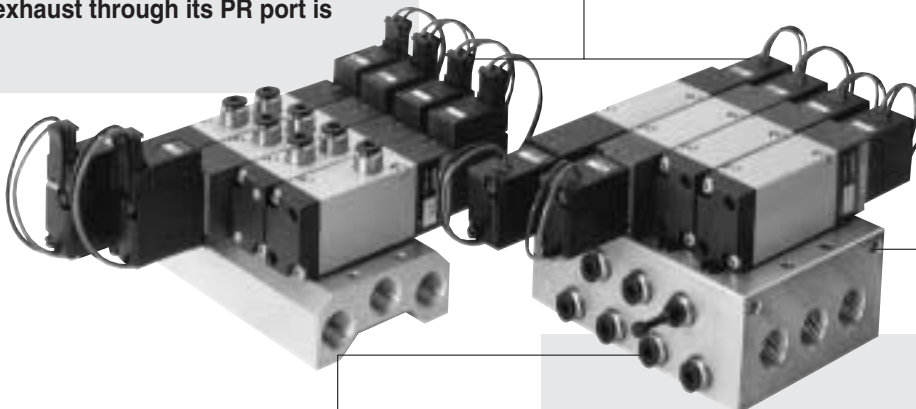
- Built-in quick fittings offer one-touch simple tube installation and removal. Moreover, an effective area of 4.0mm<sup>2</sup> [Cv: 0.22] enables even more powerful applications.

### Full-option type

**Greatly improves piping and wiring work efficiency, for excellent applications in assembly, adjustment, and maintenance.**

### F type manifold

**Direct piping type valves can be mounted directly on this manifold. An FE type manifold enabling collected pilot exhaust through its PR port is also available.**



- The common terminal pre-wired plug connector type frees technicians from tedious common terminal wiring work. Crossover wires are used to connect the common terminals, so that a single common wire is sufficient even for a manifold with many stations.

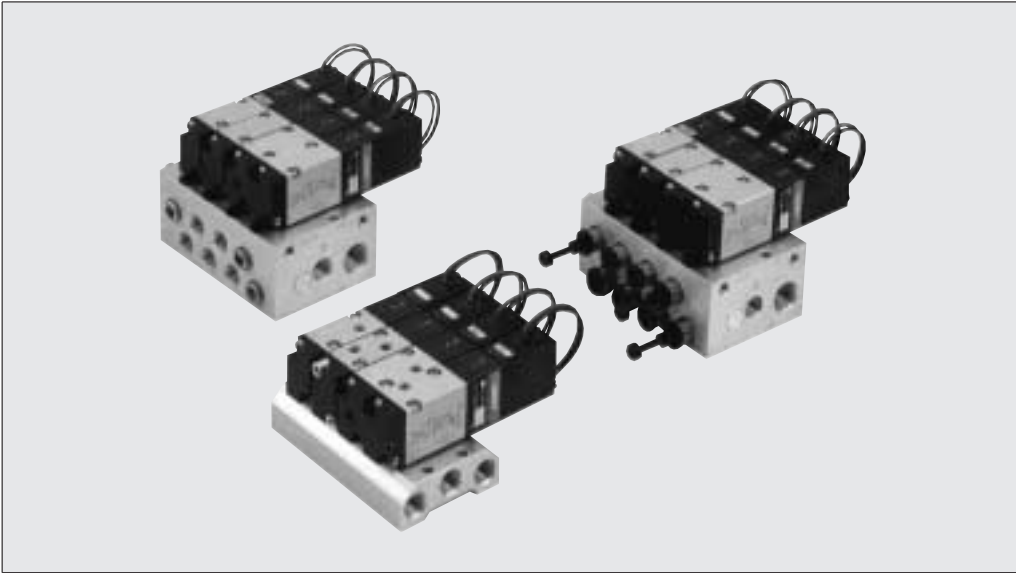
- For the delivery port quick fittings, select from  $\phi 4$  or  $\phi 6$  fittings for each station in accordance with actuator size.

### AJ type manifold

**Combines all ports into a manifold base. Quick fittings are built into the delivery ports (4(A), 2(B)), allowing easy assembly and maintenance in a confined space.**

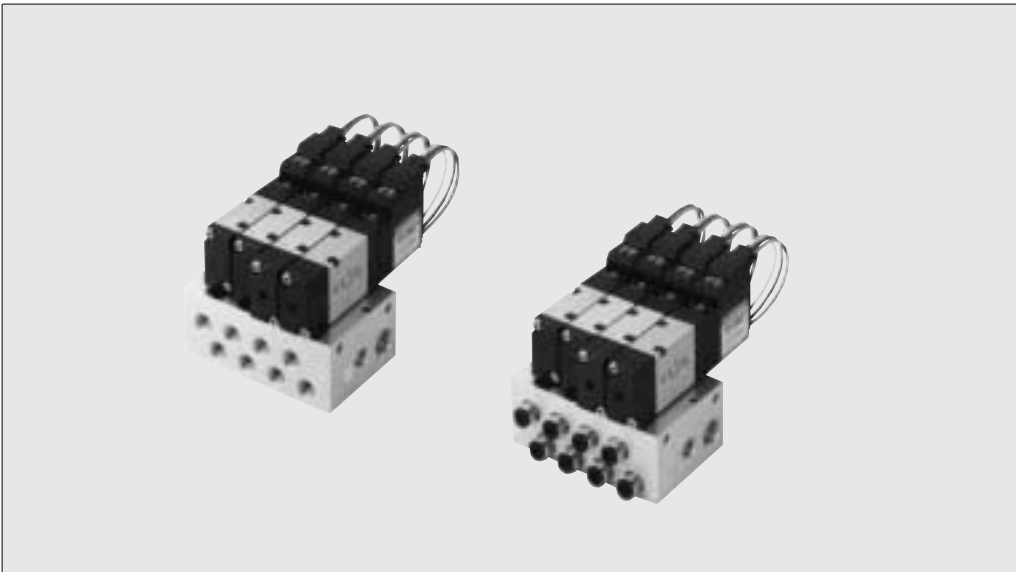
- Piping to the pilot exhaust ports is also possible to keep the control box interior and working environment from becoming contaminated. The built-in check mechanism prevents exhaust interference.

## Twin Solenoid Valve



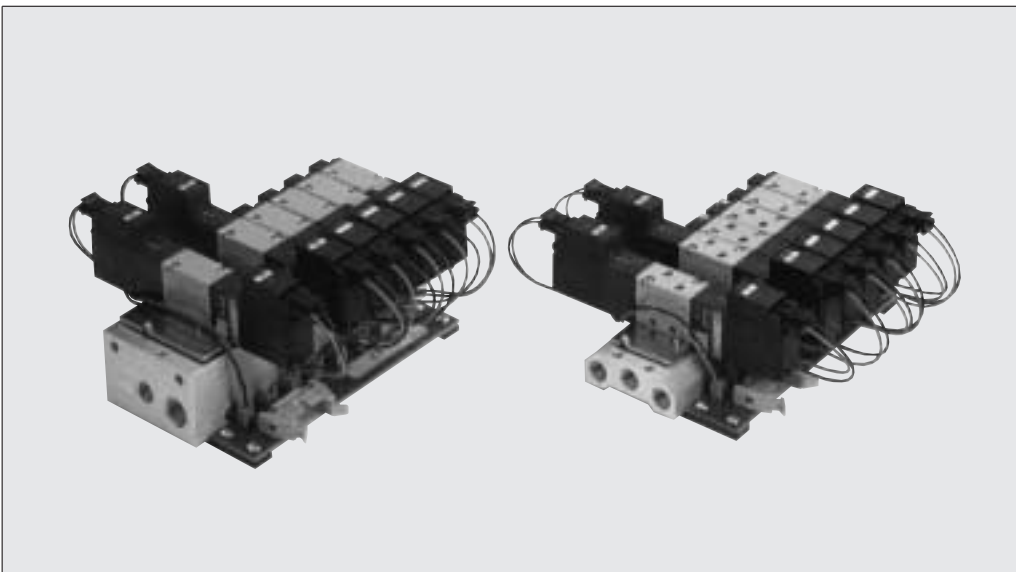
Ensures the functions of the conventional double solenoid type, but in a much shorter length, while simple wiring enables correct connections with a sequencer. Moreover, it is capable of being installed on a conventional manifold to occupy space for two stations.

## Tandem Solenoid Valve



Retains the performance specifications of the 110 series while realizing a two-unit combination solenoid in the space of a single station. Achieves a compact outer appearance for the manifold and still more space savings.


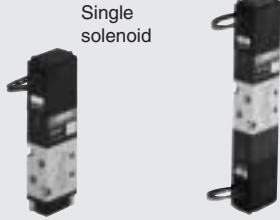
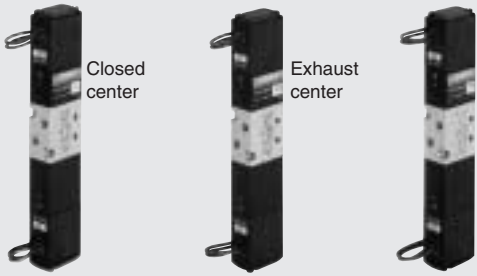
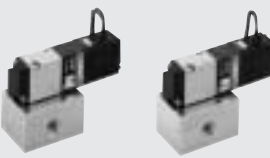

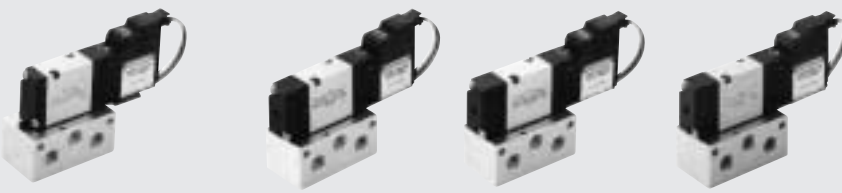
## PC Board Manifold 110 Series



Secures ease of use by using a printed circuit board with a connector for quick wiring connection to control devices. This simplified wiring method greatly reduces wiring work and the need for tools.

# 110 Series Basic Models and Configuration

## Single unit

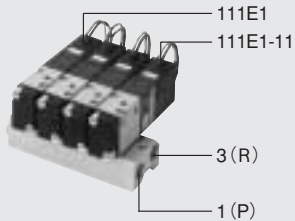
|               | 2-, 3-port  | 5-port   |   |  |  |  |
|---------------|---|--|---|--|--|--|
| Direct piping | <p>Normally closed (NC)    Normally open (NO)</p>  <p><b>111E1</b>    <b>111E1-11</b><br/> <small>(□110E1)<sup>Note 1</sup>    <small>(□110E1-11)<sup>Note 1</sup></small></small></p> | <p>2-position</p> <p>Single solenoid    Double solenoid</p>  <p><b>110-4E1</b>    <b>110-4E2</b><br/> <small>(□110-4KE2)<sup>Note 2</sup></small></p>   | <p>3-position</p> <p>Closed center    Exhaust center    Pressure center</p>  <p><b>113-4E2</b>    <b>113-4E2-13</b>    <b>113-4E2-14</b><br/> <small>(□113-4KE2)<sup>Note 2</sup>    <small>(□113-4KE2-13)<sup>Note 2</sup>    <small>(□113-4KE2-14)<sup>Note 2</sup></small></small></small></p> |  |  |  |
|               | <p>Normally closed (NC)    Normally open (NO)</p>  <p><b>A111E1-25</b>    <b>A111E1-11-25</b></p>  | <p>2-position</p> <p>Single solenoid    Double solenoid    Closed center    Exhaust center    Pressure center</p>  <p><b>A110-4E1-25</b>    <b>A110-4E2-25</b>    <b>A113-4E2-25</b>    <b>A113-4E2-13-25</b>    <b>A113-4E2-14-25</b></p> <p>2-position (tandem solenoid)</p> <p>Double solenoid    Closed center    Exhaust center    Pressure center</p>  <p><b>A110-4ME2</b>    <b>A113-4ME2</b>    <b>A113-4ME2-13</b>    <b>A113-4ME2-14</b></p> |   |  |  |  |

Notes: 1. 110E1 and A110E1 are dedicated valves for manifolds with combination mounting of 2-, 3-, 5-port valves. They cannot be used as single units. For single unit applications, use 111E1 or A111E1-25.  
 2. They are dedicated twin solenoid valves for manifolds with combination mounting of 2-, 3-, 5-port valves. They cannot be used as single units.

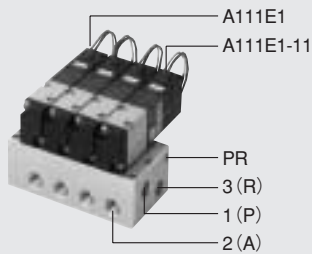
## Manifold

### Small sized manifold for 2-, 3-port valves

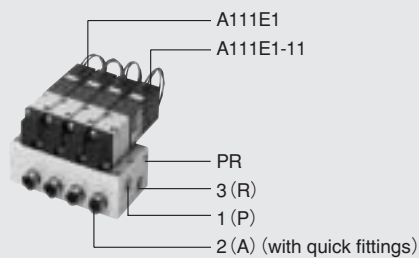
#### 111M□F—F type (1(P), 3(R)) manifold



#### 111M□A—A type (all ports) manifold

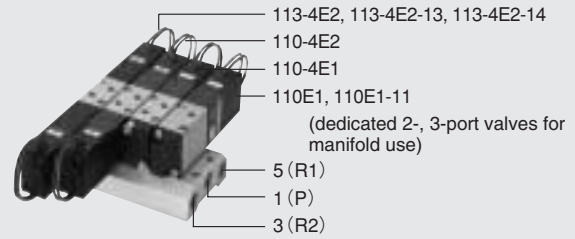


#### 111M□AJ—AJ type (all ports, with quick fittings) manifold

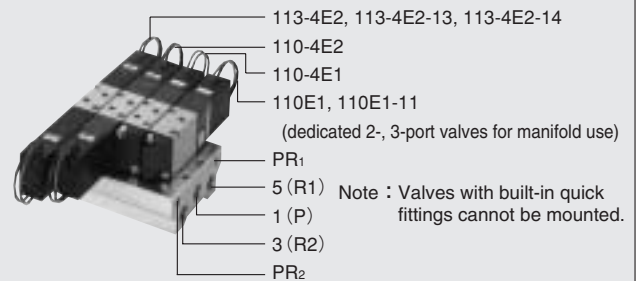


### Manifold for combination mounting of 2-, 3-, 5-port valves

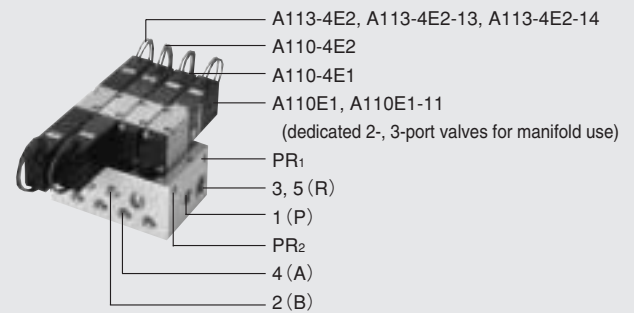
#### 110M□F—F type (1(P), 3(R2), 5(R1)) manifold



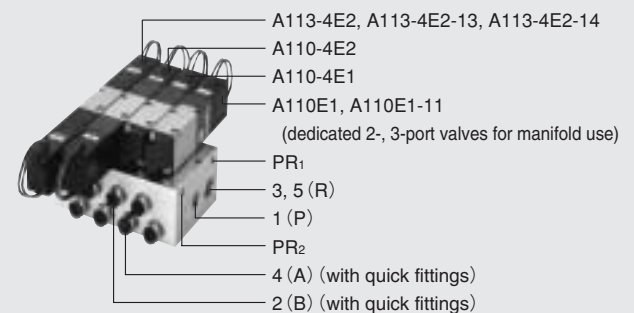
#### 110M□FE<sup>Note</sup>—FE type (1(P), 3(R2), 5(R1), PR) manifold



#### 110M□A—A type (all ports) manifold



#### 110M□AJ—AJ type (all ports, with quick fittings) manifold





# SOLENOID VALVES

## 110 SERIES

### Basic Models and Valve Functions

| Item                | Basic model  | 111E1<br>(110E1) <sup>Note</sup>                             | 110-4E1<br>110-4E2                | 110-4KE2 <sup>Note</sup>  | 113-4E2   | 113-4KE2  |
|---------------------|--|--|-----------------------------------|---|---|-----------|
|                     | Sub-base piping,<br>A, AJ type<br>manifolds                          | A111E1<br>(A110E1) <sup>Note</sup>                           | A110-4E1<br>A110-4E2<br>A110-4ME2 | A110-4KE2 <sup>Note</sup>   | A113-4E2<br>A113-4ME2   | A113-4KE2 |
| Number of positions | 2 positions  |  |                                   | 3 positions   |   |           |
| Number of ports     | 2, 3 ports   |  | 5 ports                           |   |   |           |
| Valve function      | Normally closed (NC, standard)<br>or<br>Normally open (NO, optional) | Single solenoid,<br>Double solenoid<br>or<br>Tandem solenoid | Twin solenoid                     | Closed center (standard),<br>Exhaust center (optional),<br>Pressure center (optional)<br>or Tandem solenoid | Closed center (standard),<br>Exhaust center (optional),<br>Pressure center (optional)<br>or Twin solenoid |           |

Remark : For optional specifications and order codes, see p.300~302.

Note : The 110E1, A110E1, 110-4KE2, and A110-4KE2 are dedicated valves for manifolds with combination mounting of 2-, 3-, 5-port valves. They cannot be used as single units. When using 2-,3-port valves as single units, use 111E1 or A111E1-25.

### Specifications

| Item   | Basic model                                    | 111E1<br>(110E1)   | 110-4E1<br>110-4E2   | 110-4KE2     | 113-4E2        | 113-4KE2  |
|--|--|--------------------|----------------------|--------------|----------------|-----------|
|  | Sub-base piping,<br>A, AJ type<br>manifolds    | A111E1<br>(A110E1) | A110-4E1<br>A110-4E2 | A110-4KE2    | A113-4E2       | A113-4KE2 |
| Media  | Air  |                    |                      |              |                |           |
| Operation type   | Internal pilot type                            |                    |                      |              |                |           |
| Effective area [Cv] <sup>Note1</sup> mm <sup>2</sup>       | 4.2{0.23}                                      |                    | 4.0{0.22}            |              | 3.8{0.21}      |           |
| Port size <sup>Note 2</sup>                                | M5×0.8   |                    |                      |              |                |           |
| Lubrication  | Not required                                   |                    |                      |              |                |           |
| Operating pressure range MPa {kgf/cm <sup>2</sup> } [psi.] | 0.15~0.7 {1.5~7.1} [22~102]                    |                    |                      |              |                |           |
| Proof pressure MPa {kgf/cm <sup>2</sup> } [psi.]           | 1.05 {10.7} [152]                              |                    |                      |              |                |           |
| Response time <sup>Note 3</sup> ms                         | DC12V, DC24V                                   | 15/25 or below     | 15/25 {20} or below  |              | 15/30 or below |           |
| ON/OFF   | AC100V, AC200V                                 | 15/15 or below     | 15/15 {15} or below  |              | 15/20 or below |           |
| Maximum operating frequency Hz                             | 5  |                    |                      |              |                |           |
| Minimum time to energize for self holding ms               | —  | 50(□110-4E2)       | 50                   |              | —              |           |
| Operating temperature range (atmosphere and media) °C [°F] | 5~50 [41~122]                                  |                    |                      |              |                |           |
| Shock resistance m/s <sup>2</sup> [G]                      | 1373.0 {140.0} (Axial direction 294.2 {30.0} ) |                    |                      | 294.2 {30.0} |                |           |
| Mounting direction   | Any  |                    |                      |              |                |           |

Notes : 1. For details, see the effective area on p.298.

2. For details, see the port size on p.298.

3. Values when air pressure is 0.5MPa {5.1kgf/cm<sup>2</sup>} [73psi.]. Values in brackets [ ] for 110-4E2, 110-4KE2, and 110-4ME2 are when switching from the opposite position, while the values for 113-4E2, 113-4KE2, and A113-4ME2 are those of the closed center valve, when switching from the neutral position.

### Solenoid Specifications

| Item                                    | Rated voltage         | DC12V   | DC24V  | AC100V              | AC200V               | DC24V (Tandem solenoid)              |
|---|-----------------------|---|--|---------------------|----------------------|--------------------------------------|
| Type                                    |                       | Flywheel diode incorporated for surge suppression                             |  | Shading type        |                      | Built-in surge absorption transistor |
| Operating voltage range V               |                       | 10.8~13.2<br>(12±10%)   | 21.6~26.4<br>(24±10%)                          | 90~132<br>(100±32%) | 180~264<br>(200±10%) | 21.6~26.4<br>(24±10%)                |
| Current (when rated voltage is applied) | Frequency Hz          | —   | —  | 50                  | 60                   | —                                    |
|   | Starting mA (r.m.s)   | —   | —  | 36                  | 32                   | —                                    |
|   | Energizing mA (r.m.s) | 130 (1.6W)<br>(140 (1.7W)<br>with LED indicator)                              | 65 (1.6W)<br>(75 (1.8W)<br>with LED indicator) | 24                  | 20                   | 12                                   |
| Allowable leakage current mA            |                       | 8   | 4  | 4                   | 2                    | 2                                    |
| Insulation resistance MΩ                |                       | Over 100  |  |                     |                      |                                      |
| Wiring type and lead wire length        | Standard              | Grommet type: 300mm [11.8in.]   |  |                     |                      | Plug connector type: 300mm [11.8in.] |
|   | Optional              | Plug connector type: 300mm [11.8in.]<br>Note: See made to order on p.315~316. |  |                     |                      | —                                    |
| Color of lead wire                      |                       | Brown (+)<br>Black (-)  | Red (+)<br>Black (-)                           | Yellow              | White                | Red (SA), Black (COM)<br>White (SB)  |
| Color of LED indicator                  |                       | Red   |  | Yellow              | Green                | Red                                  |
| Surge suppression (as standard)         |                       | Flywheel diode  |  | Varistor            |                      | Surge absorption transistor          |

## Effective Area [Cv]

mm<sup>2</sup> [Cv]

| Basic model  | Standard (Single valve) | Built-in quick fittings                | Remarks   |
|--|-------------------------|--|---|
| 111E1 <sup>Note</sup><br>(110E1)<br>110-4E1<br>110-4E2<br>110-4KE2                   | 4.2<br>(0.23)           | -J4□ : 3.6 [0.20]<br>-J6□ : 4.0 [0.22] | <ul style="list-style-type: none"> <li>● When attaching TS4-M5 to the 1(P), 4(A), 2(B) ports, the value is 1.8(0.10).</li> <li>● On the F type manifold, attaching TS4-M5 to the 4(A), 2(B) ports gives the value 2.1(0.12).</li> <li>● When large flow rates are required, we recommend the φ 6 built-in quick fitting.</li> </ul> |
| 113-4E2<br>113-4KE2  | 3.8<br>(0.21)           | -J4□ : 3.4 [0.19]<br>-J6□ : 3.6 [0.20] |   |
| A111E1 <sup>Note</sup><br>(A110E1)<br>A110-4E1<br>A110-4E2<br>A110-4KE2<br>A110-4ME2 | 4.0<br>(0.22)           | -J4□ : 3.6 [0.20]<br>-J6□ : 4.0 [0.22] | <ul style="list-style-type: none"> <li>● When mounting on a sub-base or manifold.</li> <li>● Attaching TS4-01 to the 1(P), 4(A), 2(B) ports on the sub-base gives the value 3.2 [0.18].</li> </ul>  |
| A113-4E2<br>A113-4KE2<br>A113-4ME2   | 3.6<br>(0.20)           | 3.6<br>(0.20)                          |   |

Note: The delivery port is the 2(A) for 111E1, A111E1.

## Solenoid Valve Port Size

| Basic model   | Port specification |                        | Port size   |
|---|--------------------|------------------------|---|
| 111E1 <sup>Note1</sup><br>(110E1 <sup>Note2</sup> )   | Standard           | Female thread          | M5×0.8  |
|   |                    | -J41                   | Quick fitting for φ 4, for 2(A) (4(A)) port only  |
|   | Optional           | -J42                   | Quick fitting for φ 4, for 1(P), 2(A) ports       |
|   |                    | -J61                   | Quick fitting for φ 6, for 2(A) (4(A)) port only  |
|   |                    | -J62                   | Quick fitting for φ 6, for 1(P), 2(A) ports       |
| 110-4E1<br>110-4E2<br>110-4KE2<br>113-4E2<br>113-4KE2   | Standard           | Female thread          | M5×0.8  |
|   |                    | -J42                   | Quick fitting for φ 4, for 4(A), 2(B) ports only  |
|   | Optional           | -J43 <sup>Note 3</sup> | Quick fitting for φ 4, for 1(P), 4(A), 2(B) ports |
|   |                    | -J62                   | Quick fitting for φ 6, for 4(A), 2(B) ports only  |
|   |                    | -J43 <sup>Note 3</sup> | Quick fitting for φ 6, for 1(P), 4(A), 2(B) ports |
| A111E1-25 <sup>Note1</sup><br>A110-4E1-25<br>A110-4E2-25<br>A113-4E2-25<br>A110-4ME2-25<br>A113-4ME2-25 | 1 (P)              | Female thread          | Rc1/8   |
|   | 4 (A), 2 (B)       |                        |   |
|   | 3 (R2), 5 (R1)     |                        |   |
|   | PR                 | Female thread          | M5×0.8  |

Notes: 1. The delivery port is the 2(A) for 111E1, A111E1-25.

2. Since 110E1 is for manifold use only, piping to the 1 (P) port with a fitting is not possible.

3. Not available in 110-4E2, 113-4E2, 110-4KE2, and 113-4KE2.

## Manifold Connection Port Size

| Manifold model  | Port                  | Location of piping ports | Port size                        |
|---|-----------------------|--------------------------|----------------------------------|
| 111M□ <sup>F</sup> <sup>Note1</sup><br>110M□ <sup>F</sup>   | 1 (P)                 | Manifold                 | Rc1/8                            |
|   | 4 (A), 2 (B)          | Valve                    | M5×0.8 <sup>Note2</sup>          |
|   | 3 (R), 3 (R2), 5 (R1) | Manifold                 | Rc1/8                            |
| 110M□ <sup>FE</sup>   | 1 (P)                 | Manifold                 | Rc1/8                            |
|   | 4 (A), 2 (B)          | Valve                    | M5×0.8                           |
|   | 3 (R2), 5 (R1)        | Manifold                 | Rc1/8                            |
|   | PR                    |                          | M5×0.8                           |
| 111M□ <sup>A</sup> <sup>Note1</sup><br>110M□ <sup>A</sup>   | 1 (P)                 | Manifold                 | Rc1/8                            |
|   | 4 (A), 2 (B)          |                          | Rc1/8 (111M□A), Rc1/4 (110M□A)   |
|   | 3 (R), 3, 5 (R)       |                          |                                  |
|   | PR                    |                          | M5×0.8                           |
| 111M□ <sup>AJ</sup> <sup>Note1</sup><br>110M□ <sup>AJ</sup> | 1 (P)                 | Manifold                 | Rc1/8                            |
|   | 4 (A), 2 (B)          |                          | Quick fitting for φ 4 or φ 6     |
|   | 3 (R), 3, 5 (R)       |                          | Rc1/8 (111M□AJ), Rc1/4 (110M□AJ) |
|   | PR                    |                          | M5×0.8                           |

Notes: 1. The delivery port is the 2(A) for 111M□F, 111M□A, 111M□AJ.

2. When the mounting valve is a female thread specification, the ports are this size. For the built-in quick fitting types, quick fittings for φ 4 or φ 6 are installed.

## Solenoid Valve Mass

g [oz.]

| Basic model | Mass                    |
|-------------|-------------------------|
| 111E1       | 75 [2.65]               |
| (110E1)     | 80 [2.82]               |
| 110-4E1     | 80 [2.82]               |
| 110-4E2     | 125 [4.41]              |
| 110-4KE2    | 175 [6.17]              |
| 113-4E2     | 145 [5.11]              |
| 113-4KE2    | 165 [5.82]              |
| A111E1      | 80 [2.82] (180 [6.35])  |
| (A110E1)    | 85 [3.00]               |
| A110-4E1    | 85 [3.00] (180 [6.35])  |
| A110-4E2    | 130 [4.59] (225 [7.94]) |
| A110-4KE2   | 180 [6.35]              |
| A110-4ME2   | 110 [3.88] (205 [7.23]) |
| A113-4E2    | 150 [5.29] (245 [8.64]) |
| A113-4KE2   | 170 [6.00]              |
| A113-4ME2   | 120 [4.23] (215 [7.58]) |

Remark: Figures in parentheses ( ) are the mass with sub-base:-25

## Manifold Mass

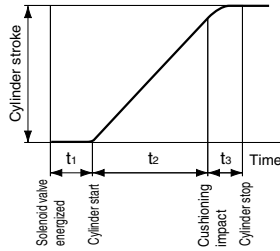
g [oz.]

| Manifold model      | Mass calculation of each unit<br>(n=number of units)               | Block-off plate |
|---------------------|--|-----------------|
| 111M□ <sup>F</sup>  | (15×n)+30 [(0.53×n)+1.06]  | 5 [0.18]        |
| 111M□ <sup>A</sup>  | (45×n)+45 [(1.59×n)+1.59]  | 10 [0.35]       |
| 111M□ <sup>AJ</sup> | -J4 : (53×n)+45 [(1.87×n)+1.59]<br>-J6 : (50×n)+45 [(1.76×n)+1.59] |                 |
| 110M□ <sup>F</sup>  | (20×n)+30 [(0.71×n)+1.06]  | 6 [0.21]        |
| 110M□ <sup>FE</sup> | (40×n)+50 [(1.41×n)+1.76]  | 11 [0.39]       |
| 110M□ <sup>A</sup>  | (60×n)+60 [(2.12×n)+2.12]  |                 |
| 110M□ <sup>AJ</sup> | -J4 : (67×n)+60 [(2.36×n)+2.12]<br>-J6 : (64×n)+60 [(2.26×n)+2.12] |                 |



# Cylinder Operating Speed

How to obtain cylinder speed



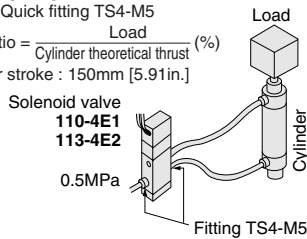
To obtain the time required for the cylinder to complete 1 stroke, add cylinder's delay time  $t_1$  (time between energizing of solenoid valve and actual starting of the cylinder), to the cylinder's max. speed operating time  $t_2$ .

When a cushion is used, add the cushioning time  $t_3$ , to the above calculation. The standard cushioning time  $t_3$  is approximately 0.2 seconds.

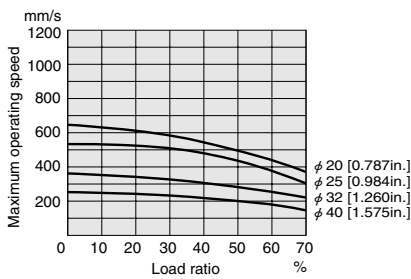
## 110-4E1 113-4E2

### ● Measurement conditions

- Air pressure : 0.5MPa {5.1kgf/cm<sup>2</sup>} [73psi.]
- Piping inner diameter and length :  $\phi$  2.5 [0.10in.] $\times$  1000mm [39in.]
- Fitting : Quick fitting TS4-M5
- Load ratio =  $\frac{\text{Load}}{\text{Cylinder theoretical thrust}} (\%)$
- Cylinder stroke : 150mm [5.91in.]

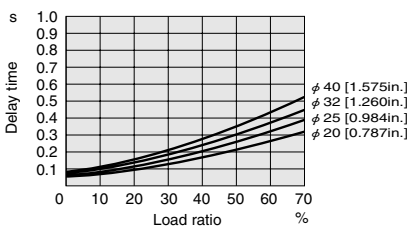


### Maximum operating speed



1mm/s = 0.0394in./sec.

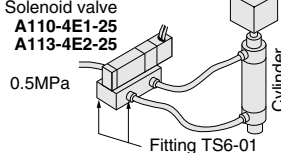
### Delay time



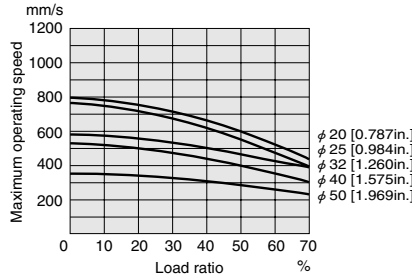
## A110-4E1-25 A113-4E2-25

### ● Measurement conditions

- Air pressure : 0.5MPa {5.1kgf/cm<sup>2</sup>} [73psi.]
- Piping inner diameter and length :  $\phi$  4 [0.16in.] $\times$  1000mm [39in.]
- Fitting : Quick fitting TS6-01
- Load ratio =  $\frac{\text{Load}}{\text{Cylinder theoretical thrust}} (\%)$
- Cylinder stroke : 150mm [5.91in.]

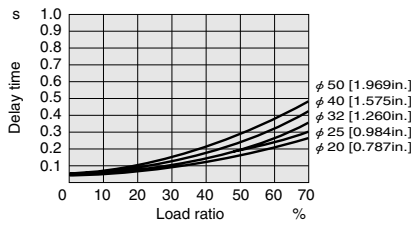


### Maximum operating speed



1mm/s = 0.0394in./sec.

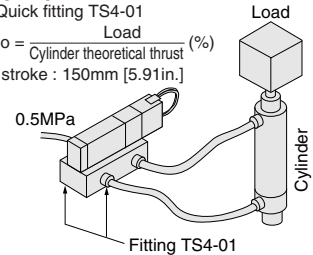
### Delay time



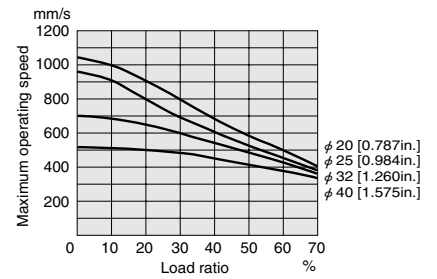
## A110-4ME2 A113-4ME2

### ● Measurement conditions

- Air pressure : 0.5MPa {5.1kgf/cm<sup>2</sup>} [73psi.]
- Piping inner diameter and length :  $\phi$  4 [0.16in.] $\times$  1000mm [39in.]
- Fitting : Quick fitting TS4-01
- Load ratio =  $\frac{\text{Load}}{\text{Cylinder theoretical thrust}} (\%)$
- Cylinder stroke : 150mm [5.91in.]

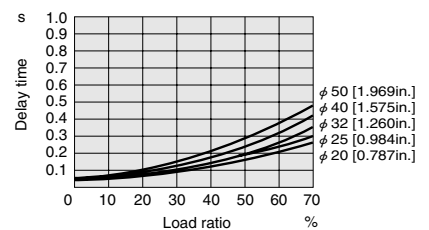


### Maximum operating speed

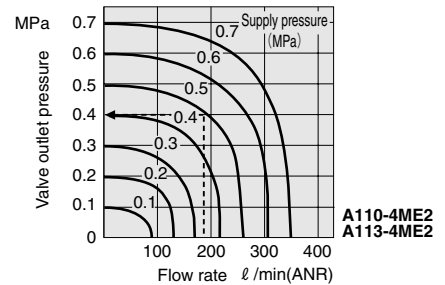
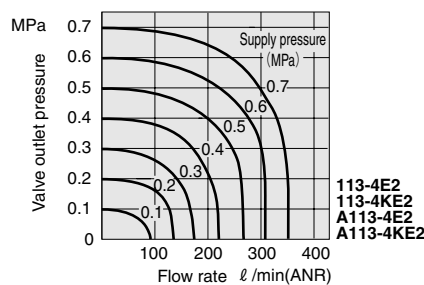
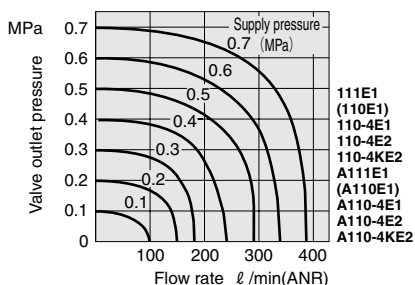


1mm/s = 0.0394in./sec.

### Delay time



# Flow Rate



### How to read the graph

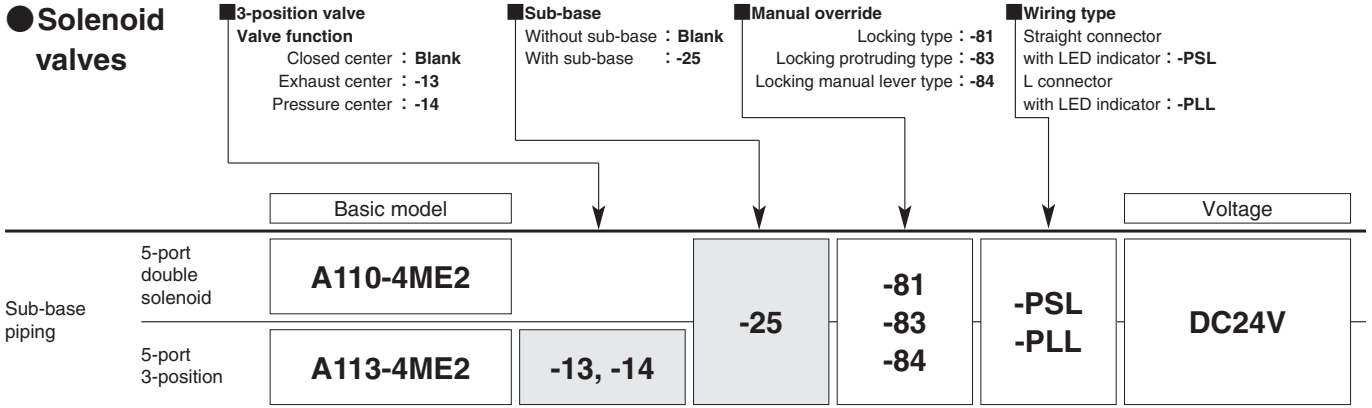
When the supply pressure is 0.5MPa [73psi.] and the flow rate is 180 l/min [6.35ft<sup>3</sup>/min.] (ANR), the valve outlet pressure becomes 0.4MPa [58psi.].

1MPa = 145psi.  
1 l/min = 0.0353ft<sup>3</sup>/min.

# 110 Series Tandem Solenoid Valve Order Codes

※ Single solenoid, double solenoid, twin solenoid, and tandem solenoid valves can be mounted together on the manifold.

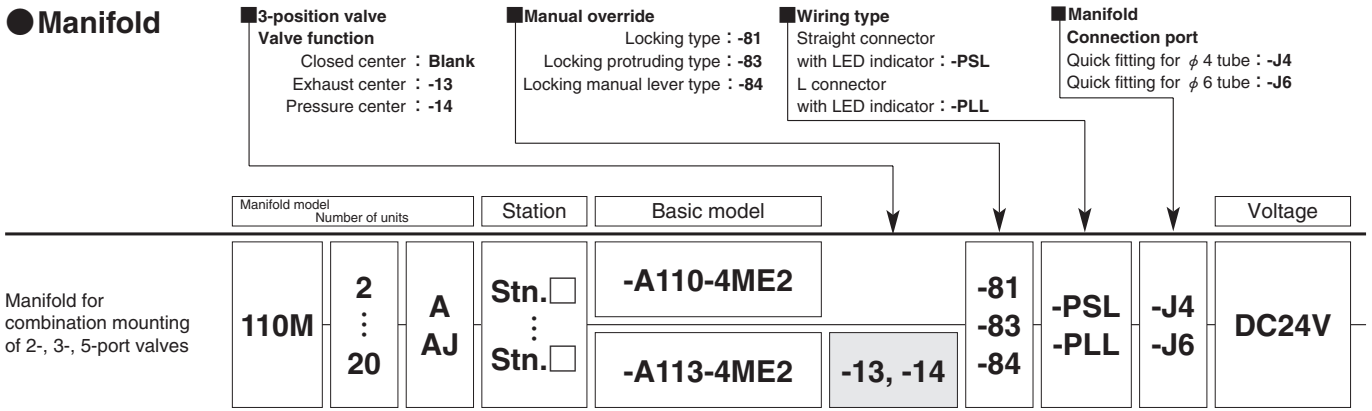
## ● Solenoid valves



Note : They cannot be used as single units.

● Always select one from each group.

## ● Manifold



● Valve mounting location from the left-hand side when facing the 4(A), 2(B) ports.

● Specify the valve model for each station.  
 ● Enter **-BP** when closing a station with a block-off plate without mounting a valve.

● Always select one from each group.

● For the AJ type manifold only, specify either of the two.

## Options

### ■ Wiring type

Straight connector with LED indicator



**-PSL**

● Lead wire length 300mm

L connector with LED indicator



**-PLL**

### ■ Manual override

Locking type



**-81**

Locking protruding type



**-83**

Locking manual lever type



**-84**

### ■ AJ type manifold

Quick fitting for  $\phi$  4 tube



**-J4**

Quick fitting for  $\phi$  6 tube



**-J6**

● Select the tube size for each station.

## Additional Parts (To be ordered separately)

Speed controller



**SCE-01**

● For sub-base piping

Muffler



**KM-11**

● For sub-base piping

Block-off plate



● **110-MA-BP**  
110—For 110M

## Made to Order

Lead wire length



**-1L**  
**-3L**

● For plug connector  
 ● Length **-1L** : 1000 [39in.]  
**-3L** : 3000 [118in.]

# 110 Series Solenoid Valve, Air-piloted Valve Order Codes

| 2-, 3-port valve<br>Number of ports | 2-, 3-port valve<br>Valve function | 3-position valve<br>Valve function | Sub-base             | Port fitting specifications <small>Note 2</small>  | Manual override             | Wiring type  |
|-------------------------------------|------------------------------------|------------------------------------|----------------------|--|-----------------------------|--|
| 3-port<br>                          | Normally closed (NC)<br>           | Closed center<br>                  | Without sub-base<br> | Female thread : <b>Blank</b><br>-J41, -J42, -J43 : Quick fitting for φ 4 tube<br>-J61, -J62, -J63 : Quick fitting for φ 6 tube | Non-locking type<br>        | Lead wire length:<br>300mm [11.8in.]<br>is standard.<br>Grommet type<br> |
| 2-port<br>                          | Normally open (NO)<br>             | Exhaust center<br>                 | With sub-base<br>    | ● 2(A) port of 111E1<br>(4(A) port of 110E1)   | Locking protruding type<br> | Straight connector with LED indicator<br>                                |
|                                     |                                    | Pressure center<br>                |                      | ● 1(P), 2(A) ports of 111E1  |                             | L connector with LED indicator<br>                                       |
|                                     |                                    |                                    |                      | ● 4(A), 2(B) ports of 5-port   |                             |  |
|                                     |                                    |                                    |                      | ● 1(P), 4(A), 2(B) ports of 110-4E1  |                             |  |

|  | Basic model                       |           |     |     |                          |     | Voltage      |                                    |
|--|-----------------------------------|-----------|-----|-----|--------------------------|-----|--------------|------------------------------------|
| Direct piping  | 2-, 3-port                        | 111E1     | -2  | -11 | -J41, -J42<br>-J61, -J62 | -83 | -PSL<br>-PLL |                                    |
|  | 5-port single solenoid            | 110-4E1   |     |     | -J42, -J43<br>-J62, -J63 |     |              | DC12V<br>DC24V<br>AC100V<br>AC200V |
|  | 5-port double solenoid            | 110-4E2   |     |     | -J42<br>-J62             |     |              |                                    |
|  | 5-port 3-position                 | 113-4E2   | -13 | -14 |                          |     |              |                                    |
| Sub-base piping  | 2-, 3-port                        | A111E1    | -2  | -11 |                          | -83 | -PSL<br>-PLL |                                    |
|  | 5-port single solenoid            | A110-4E1  |     |     | -25                      |     |              | DC12V<br>DC24V<br>AC100V<br>AC200V |
|  | 5-port double solenoid            | A110-4E2  |     |     |                          |     |              |                                    |
|  | 5-port 3-position                 | A113-4E2  | -13 | -14 |                          |     |              |                                    |
| For manifold with combination mounting of 2-, 3-, 5-port valves only <small>Note 1</small> | 2-, 3-port for 110M□F, FE         | 110E1     | -2  | -11 | -J41<br>-J61             | -83 | -PSL<br>-PLL |                                    |
|  | 5-port, 2-position for 110M□F, FE | 110-4KE2  |     |     | -J42<br>-J62             |     |              | DC12V<br>DC24V<br>AC100V<br>AC200V |
|  | 5-port, 3-position for 110M□F, FE | 113-4KE2  | -13 | -14 |                          |     |              |                                    |
|  | 2-, 3-port for 110M□A, AJ         | A110E1    | -2  | -11 |                          |     |              |                                    |
|  | 5-port, 2-position for 110M□A, AJ | A110-4KE2 |     |     |                          |     |              |                                    |
|  | 5-port, 3-position for 110M□A, AJ | A113-4KE2 | -13 | -14 |                          |     |              |                                    |
| Direct piping air-piloted valve (made to order)  | 5-port single pilot               | 110-4A    |     |     | -J42, -J43<br>-J62, -J63 |     |              |                                    |
|  | 5-port double pilot               | 110-4A2   |     |     | -J42<br>-J62             |     |              |                                    |
| Sub-base piping air-piloted valve (made to order)  | 5-port single pilot               | A110-4A   |     |     |                          | -25 |              |                                    |
|  | 5-port double pilot               | A110-4A2  |     |     |                          |     |              |                                    |

Notes : 1. They cannot be used as single units.  
 2. The port fittings are for φ 4: TSK4-M8M, and for φ 6: TSK6-M8M.  
 3. Side mounting of valve is not possible when -J41, -J42, -J43, -J61, -J62, or -J63 is selected, because in these cases there are no mounting holes on the valve side surface.  
 4. Mounting on the manifold only is possible when -J42 or -J62 is selected for the 110-4E2 or 113-4E2, because in these cases they do not have mounting holes.

## Additional Parts (To be ordered separately)

|                                       |                             |                                    |   |
|---------------------------------------|-----------------------------|------------------------------------|---|
| Speed controller<br><br><b>SCE-M5</b> | Muffler<br><br><b>KM-05</b> | Mounting base<br><br><b>110-21</b> | Block-off plate<br><br><b>111 M -BP</b> |
|---------------------------------------|-----------------------------|------------------------------------|---|

● For direct piping ● For sub-base piping

F — For F type manifold  
 FE — For FE type manifold  
 A — For A type, AJ type manifolds

# 110 Series Manifold Order Codes

| 2-, 3-port valve<br>Number of ports | 2-, 3-port valve<br>Valve function | 3-position valve<br>Valve function | Port fitting<br>specifications <small>Note 2</small>   | Manual override             | Wiring type                               | Manifold<br>Connection port     |
|-------------------------------------|------------------------------------|------------------------------------|--|-----------------------------|---|---------------------------------|
| 3-port<br>                          | Normally closed (NC)<br>           | Closed center<br>                  | Female thread : <b>Blank</b><br>-J41, -J42 : Quick fitting for φ 4 tube<br>-J61, -J62 : Quick fitting for φ 6 tube<br> | Non-locking type<br>        | Grommet type<br>                          | Quick fittings for φ 4 tube<br> |
| 2-port<br>                          | Normally open (NO)<br>             | Exhaust center<br>                 | ● 2(A) port of 111E1 (4(A) port of 110E1)<br>  | Locking protruding type<br> | Straight connector with LED indicator<br> | Quick fittings for φ 6 tube<br> |
|                                     |                                    | Pressure center<br>                | ● 4(A), 2(B) ports of 5-port<br>   |                             | L connector with LED indicator<br>        |                                 |
|                                     |                                    |                                    |  |                             | Straight connector with LED indicator<br> |                                 |
|                                     |                                    |                                    |  |                             | L connector with LED indicator<br>        |                                 |

● Lead wire length: 300mm [11.8in.] is standard.

● CP□L : DC12V and DC24V positive side, and AC100V, AC200V.  
● CM□L : DC12V and DC24V negative side.

| Manifold model | Number of units | Station                  | Basic model         | Port fitting | Manual override | Wiring type  | Manifold Connection port | Voltage  |                                    |
|----------------|-----------------|--------------------------|---------------------|--------------|-----------------|--------------|--------------------------|--|------------------------------------|
| 111M           | 2<br>∴<br>20    | F                        | stn.□<br>-111E1     | -2           | -11             | -J41<br>-J61 | -83                      | DC12V<br>DC24V<br>AC100V<br>AC200V               |                                    |
|                |                 | A<br>AJ                  | stn.□<br>-A111E1    | -2           | -11             |              | -J4<br>-J6               | DC12V<br>DC24V<br>AC100V<br>AC200V               |                                    |
| 110M           | 2<br>∴<br>20    | F<br>FE <sup>Note1</sup> | stn.□<br>-110E1     | -2           | -11             | -J41<br>-J61 | -83                      | -PSL<br>-PLL<br>-CPSL<br>-CMSL<br>-CPLL<br>-CMLL | DC12V<br>DC24V<br>AC100V<br>AC200V |
|                |                 |                          | stn.□<br>-110-4E1   |              |                 | -J42<br>-J62 |                          |  |                                    |
|                |                 |                          | stn.□<br>-110-4E2   |              |                 |              |                          |  |                                    |
|                |                 |                          | stn.□<br>-110-4KE2  |              |                 |              |                          |  |                                    |
|                |                 | A<br>AJ                  | stn.□<br>-113-4E2   |              | -13             |              |                          |  |                                    |
|                |                 |                          | stn.□<br>-113-4KE2  |              | -14             |              |                          |  |                                    |
|                |                 |                          | stn.□<br>-A110E1    | -2           | -11             |              |                          |  |                                    |
|                |                 |                          | stn.□<br>-A110-4E1  |              |                 |              |                          |  |                                    |
|                |                 |                          | stn.□<br>-A110-4E2  |              |                 |              |                          |  |                                    |
|                |                 |                          | stn.□<br>-A110-4KE2 |              |                 |              |                          |  |                                    |
| 110M           | 2<br>∴<br>20    | F                        | stn.□<br>-110-4A    |              |                 | -J42<br>-J62 |                          |  |                                    |
|                |                 |                          | stn.□<br>-110-4A2   |              |                 |              |                          |  |                                    |
|                |                 | A<br>AJ                  | stn.□<br>-A110-4A   |              |                 |              |                          | -J4<br>-J6                                       |                                    |
|                |                 |                          | stn.□<br>-A110-4A2  |              |                 |              |                          |  |                                    |

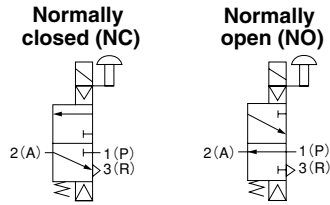
- Valve mounting location from the left-hand side when facing the 4(A), 2(B) ports.
- Since a twin solenoid valve requires 2 stations per valve to mount, the second station (solenoid 12(S1) side) should be blank.
- Notes : 1. Since the PR port on the port fitting type valves is located on the opposite side from the manifold, pilot air is exhausted directly from the valve. For that reason, collective exhaust is not possible and the port fitting type valves cannot be used for the manifold.  
2. Fitting used for port fitting specifications, φ 4: TSK-M&M, φ 6: TSK6-M&M.
- Specify the valve model for each station.
- Enter **-BP** when closing a station with a block-off plate without mounting a valve.
- Specify only for F type manifolds.
- For the AJ type manifold only, specify either of the two.
- It is not required when ordering a single valve unit.
- Pre-wired common terminal for AC100V and AV200V is either **-CPSL** or **-CPLL**.

**Made to Order** The 110 series includes made to order items of various kinds for further system development. For details, see p.315~317.

|  |   |   |   |  |  |  |
|--|---|---|---|--|--|--|
| <b>Straight connector with LED indicator</b><br><br><b>-PSLN</b><br>● Without lead wire<br>● Connector, contacts included. | <b>L connector with LED indicator</b><br><br><b>-PLLN</b><br>● Without lead wire<br>● Connector, contacts included. | <b>Lead wire length</b><br><br><b>-1L<br/>-3L</b><br>● For plug connector<br>● Length (mm)<br>-1L : 1000 [39in.]<br>-3L : 3000 [118in.] | <b>DIN connector</b><br><br><b>-39</b><br>● Cannot be used with -L. | <b>LED indicator with built-in varistor</b><br><br><b>-L</b><br>● Cannot be used with -39. | <b>Built-in interface unit</b><br><br><b>-FA</b><br>● Possible to be directly controlled by output from micro computer or other logic devices.<br>● With LED indicator | <b>Air-piloted valves 110 series</b><br><br>● 5-port, 2-position<br>● Single pilot<br>● Double pilot |
|--|---|---|---|--|--|--|

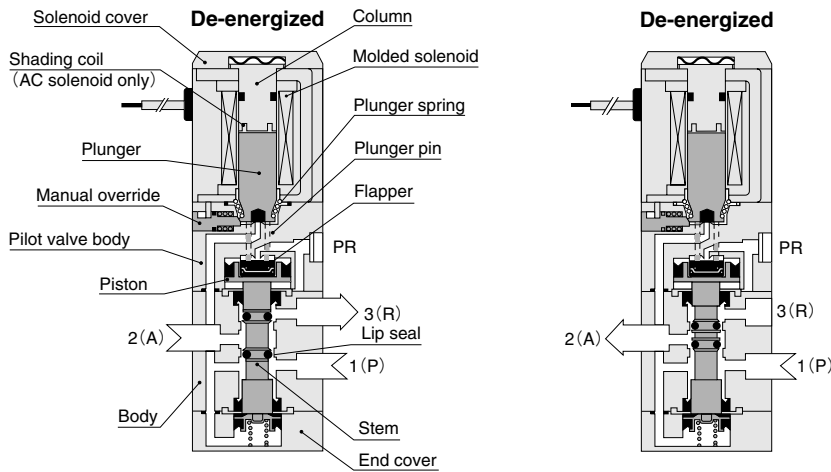
# Operating Principles and Symbols

## 3-port



**111E1**

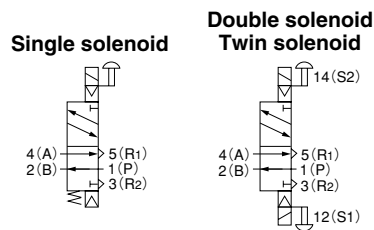
**111E1-11**



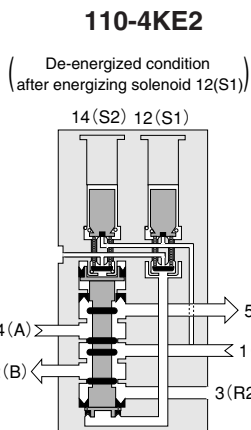
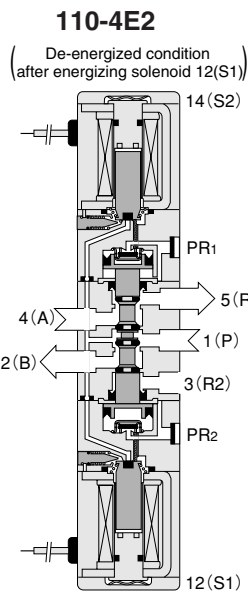
## Major Parts and Materials

|          | Parts           | Materials                  |
|----------|-----------------|----------------------------|
| Valve    | Body            | Aluminum alloy (anodized)  |
|          | Stem            | (anodized)                 |
|          | Lip seal        | Synthetic rubber           |
|          | Flapper         |                            |
|          | Mounting base   | Mild steel (zinc plated)   |
|          | Sub-base        | Aluminum alloy (anodized)  |
| Manifold | Plunger         | Magnetic stainless steel   |
|          | Column          | stainless steel            |
|          | Body            | Aluminum alloy (anodized)  |
|          | Block-off plate | Mild steel (nickel plated) |
|          | Seal            | Synthetic rubber           |

## 5-port, 2-position

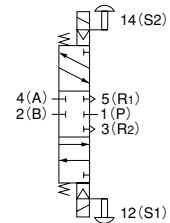


**110-4E1**  
De-energized



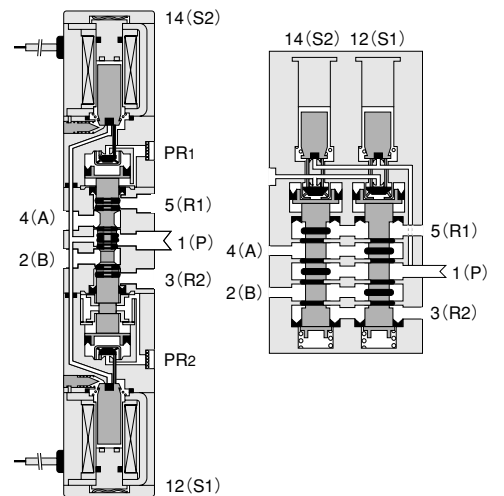
## 5-port, 3-position

### Closed center



**113-4E2**

**113-4KE2**





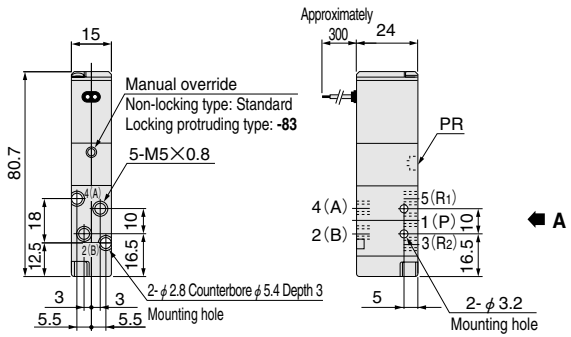


# Dimensions of Solenoid Valve 5-port , 2-, 3-position (mm)

110-4E1



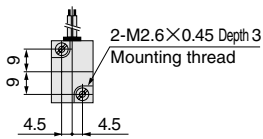
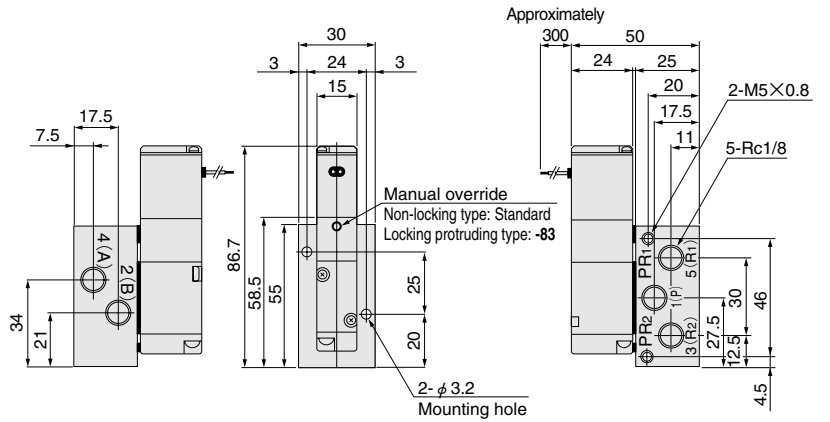
110-4E1



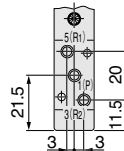
A110-4E1-25



A110-4E1



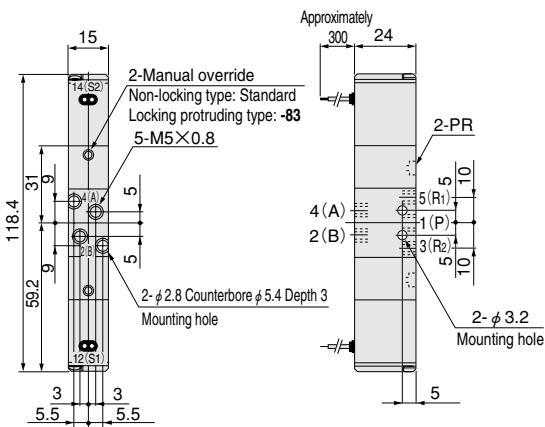
(Viewed from A)



110-4E2



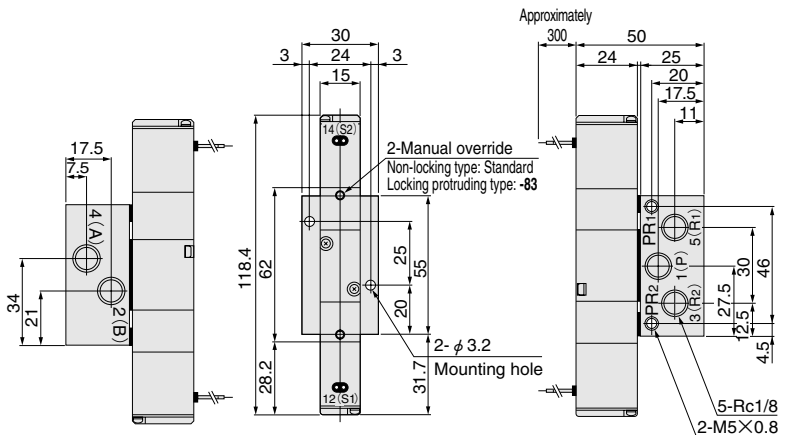
110-4E2



A110-4E2-25



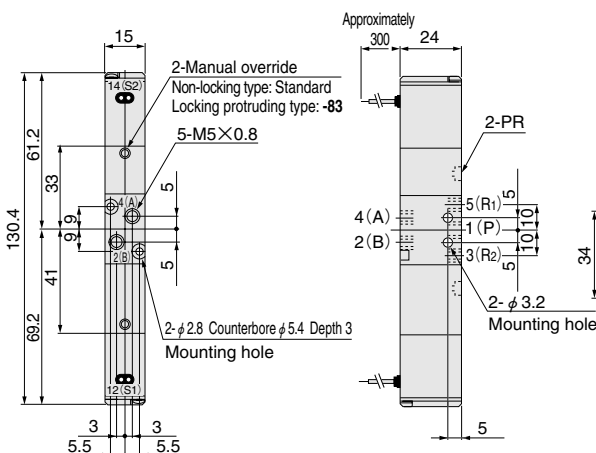
A110-4E2



113-4E2



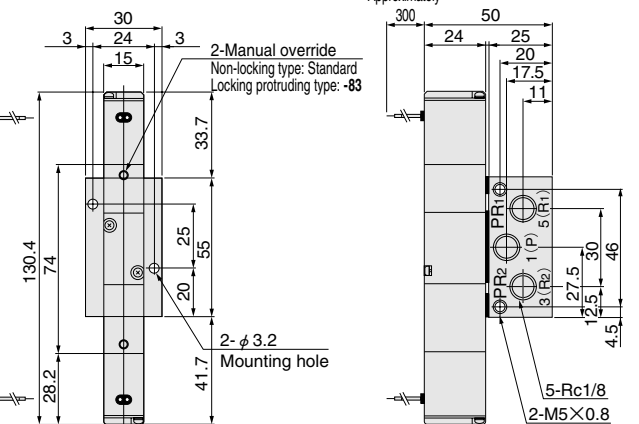
113-4E2




A113-4E2-25




A113-4E2



## Additional Parts (To be ordered separately)

● Mounting base : 110-21  110-BASE

● Muffler  110-MUFF

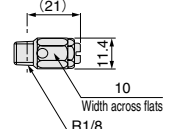
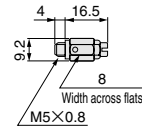
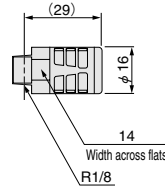
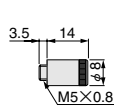
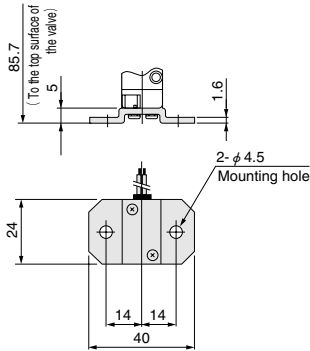
● Speed controller  110-SC

For direct piping : **KM-05**

For sub-base piping : **KM-11**

For direct piping : **SCE-M5**

For sub-base piping : **SCE-01**



## Options

● With quick fittings (2-, 3-port):

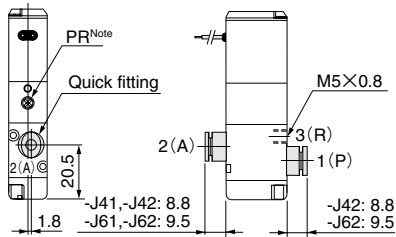
-J41 (For φ 4 tube, 2(A) or 4(A) port with fitting)

-J42 (For φ 4 tube, 1(P), 2(A) ports with fittings)

-J61 (For φ 6 tube, 2(A) or 4(A) port with fitting)

-J62 (For φ 6 tube, 1(P), 2(A) ports with fittings)

The drawing shows the -J42 specification.



Note : PR is on the side with the A port.

● With quick fittings (5-port):

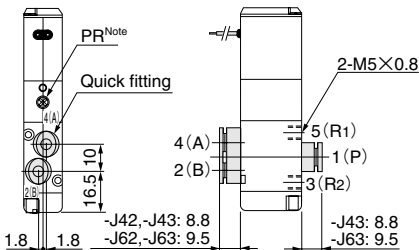
-J42 (For φ 4 tube, 4(A), 2(B) ports with fittings)

-J43 (For φ 4 tube, 1(P), 4(A), 2(B) ports with fittings)

-J62 (For φ 6 tube, 4(A), 2(B) ports with fittings)

-J63 (For φ 6 tube, 1(P), 4(A), 2(B) ports with fittings)

The drawing shows the -J43 specification.

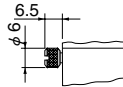


Note : PR is on the side with the A, B ports.

Remark: Valves with quick fittings do not have 2-φ 3.2 side mounting holes. Moreover, the quick fittings are the following types:  
**TSK4-M8M** (for φ 4 tube), **TSK6-M8M** (for φ 6 tube)

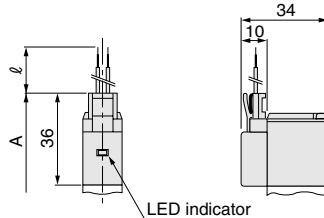
● Locking protruding type manual override : -83

 110-ROCK




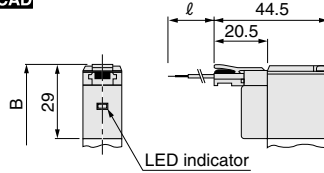
● Solenoid with straight connector : -PSL

 110-PSL □




● Solenoid with L connector : -PLL

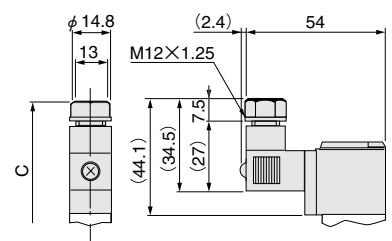
 110-PLL □



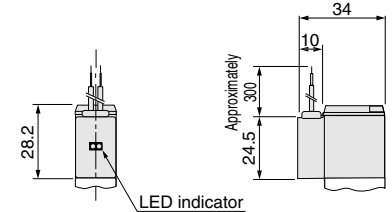
## Made to Order

 110-PSL □

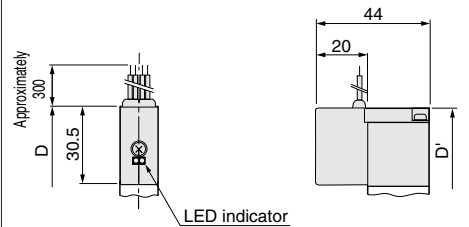
● Solenoid with DIN connector : -39



● Solenoid with LED indicator : -L



● Built-in interface unit : -FA

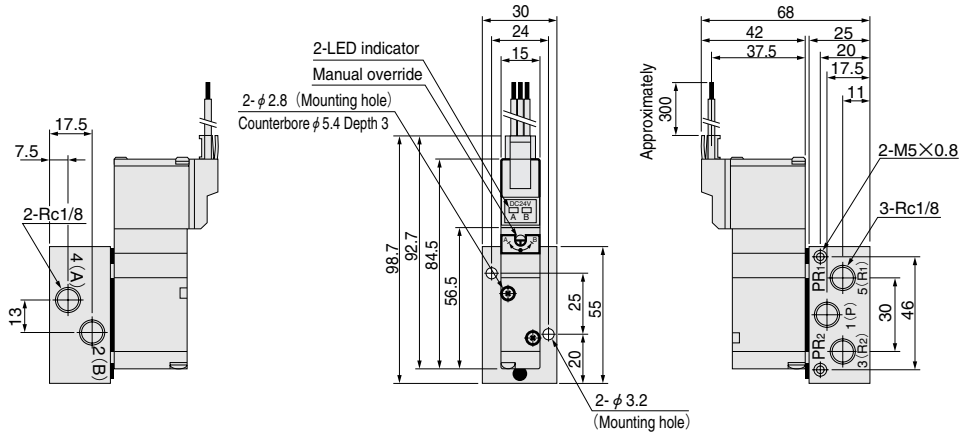


| Model                | Code | A    | B    | C     | D   | D'    | ℓ (lead wire length)              | Remarks   |
|----------------------|------|------|------|-------|-----|-------|-----------------------------------|---|
| 111E1, A111E1-25     |      | 82.5 | 75.5 | 90.6  | 77  | 77.2  | -PSL, -PLL : 300<br>Made to order | Overall length to the end of the valve or sub-base      |
| 110-4E1              |      | 88.5 | 81.5 | 96.6  | 83  | 83.2  |                                   |   |
| A110-4E1-25          |      | 94.5 | 87.5 | 102.6 | 89  | 89.2  |                                   |   |
| 110-4E2, A110-4E2-25 |      | 134  | 120  | 150.2 | 123 | 123.4 | -1L : 1000 -3L : 3000             | Overall length to the end of the opposite side solenoid |
| 113-4E2, A113-4E2-25 |      | 146  | 132  | 162.2 | 135 | 135.4 |                                   |   |

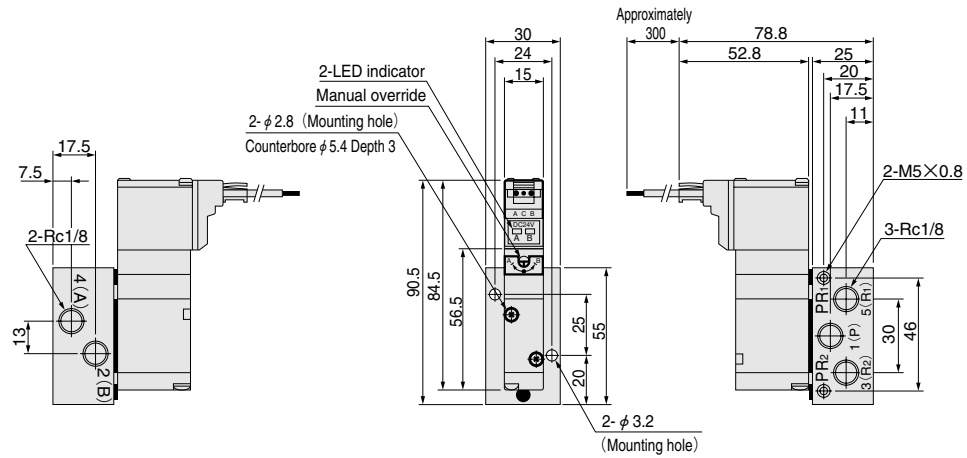
mm

# Dimensions of Tandem Solenoid Valve 5-port , 2-position (mm)

## A110-4ME2-25-PSL



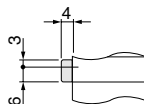
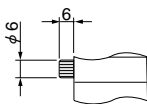
## A110-4ME2-25-PLL



## Options

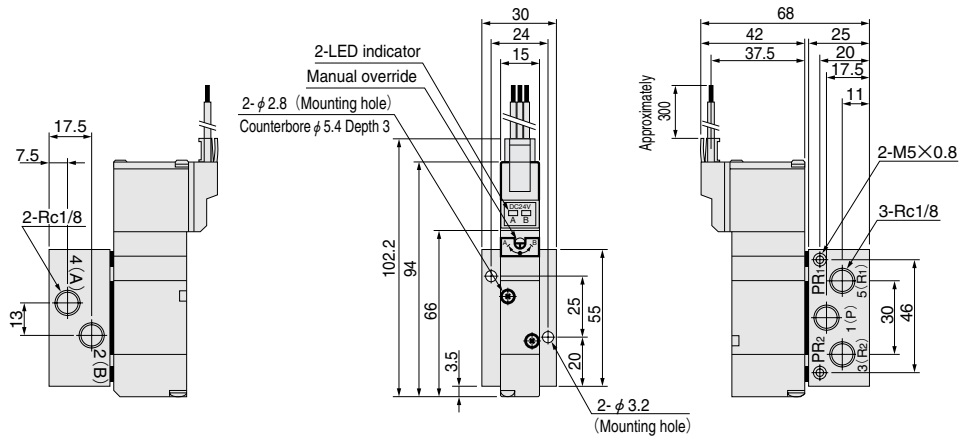
● Locking protruding type: -83

● Locking manual lever type: -84

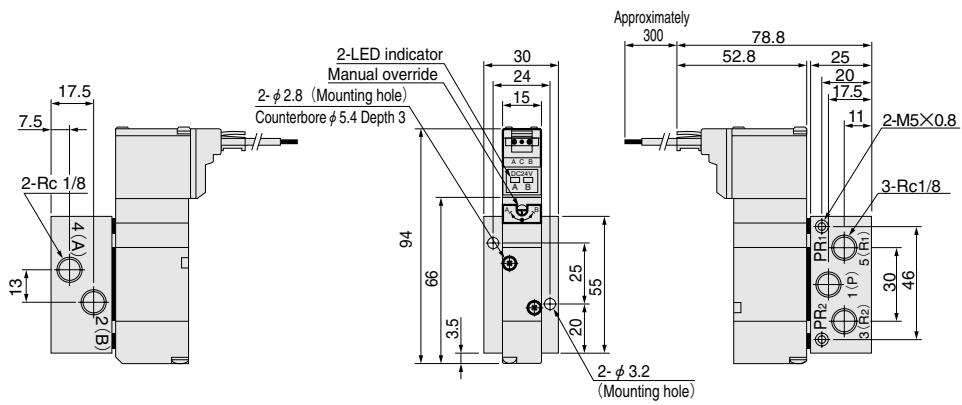


# Dimensions of Tandem Solenoid Valve 5-port , 3-position (mm)

## A113-4ME2-25-PSL



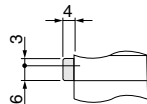
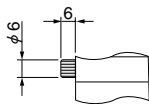
## A113-4ME2-25-PLL



## Options

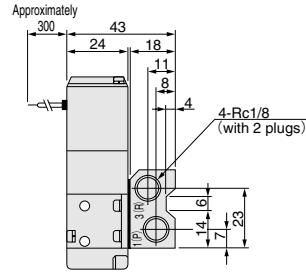
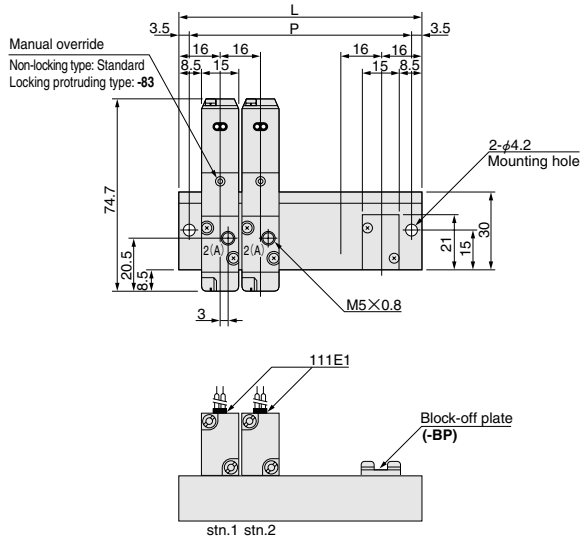
● Locking protruding type : -83

● Locking manual lever type : -84



# Dimensions of Manifold for 2-, 3-port Valves (mm)

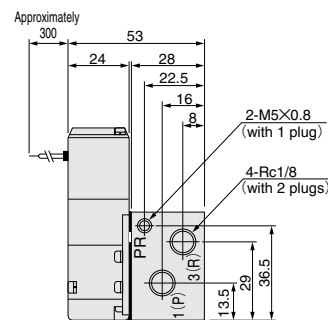
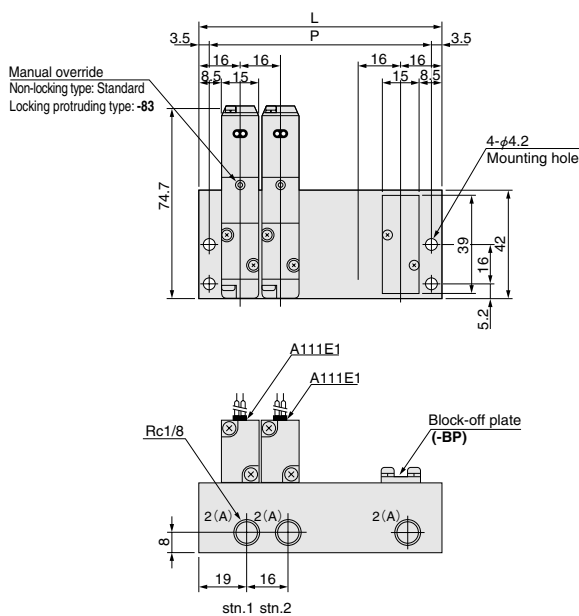
## 111M□F



### Unit dimensions

| Model  | L   | P   |
|--------|-----|-----|
| 111M2F | 48  | 41  |
| 3F     | 64  | 57  |
| 4F     | 80  | 73  |
| 5F     | 96  | 89  |
| 6F     | 112 | 105 |
| 7F     | 128 | 121 |
| 8F     | 144 | 137 |
| 9F     | 160 | 153 |
| 10F    | 176 | 169 |
| 11F    | 192 | 185 |
| 12F    | 208 | 201 |
| 13F    | 224 | 217 |
| 14F    | 240 | 233 |
| 15F    | 256 | 249 |
| 16F    | 272 | 265 |
| 17F    | 288 | 281 |
| 18F    | 304 | 297 |
| 19F    | 320 | 313 |
| 20F    | 336 | 329 |

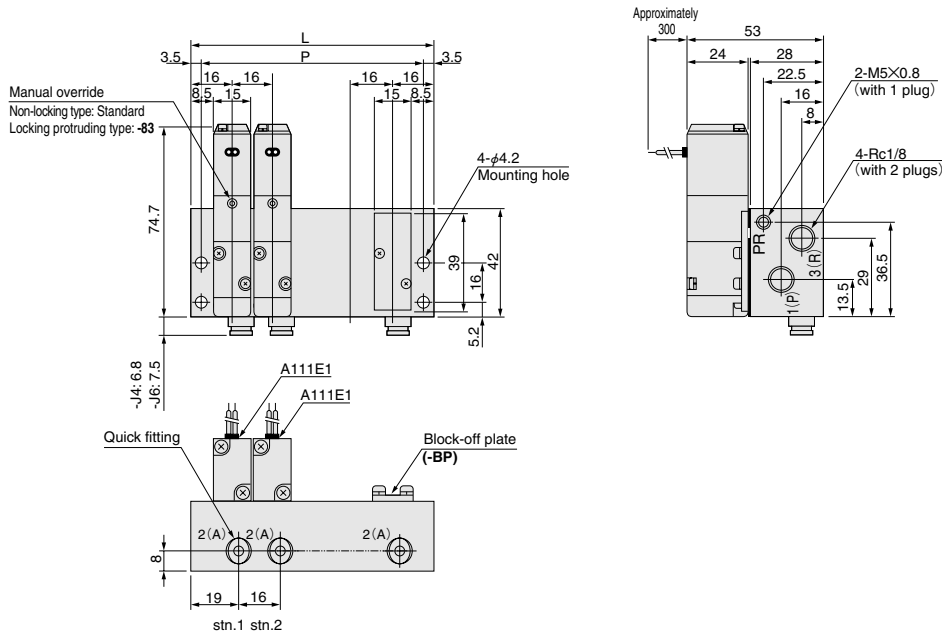
## 111M□A



### Unit dimensions

| Model  | L   | P   |
|--------|-----|-----|
| 111M2A | 48  | 41  |
| 3A     | 64  | 57  |
| 4A     | 80  | 73  |
| 5A     | 96  | 89  |
| 6A     | 112 | 105 |
| 7A     | 128 | 121 |
| 8A     | 144 | 137 |
| 9A     | 160 | 153 |
| 10A    | 176 | 169 |
| 11A    | 192 | 185 |
| 12A    | 208 | 201 |
| 13A    | 224 | 217 |
| 14A    | 240 | 233 |
| 15A    | 256 | 249 |
| 16A    | 272 | 265 |
| 17A    | 288 | 281 |
| 18A    | 304 | 297 |
| 19A    | 320 | 313 |
| 20A    | 336 | 329 |

# 111M □ AJ



## Unit dimensions

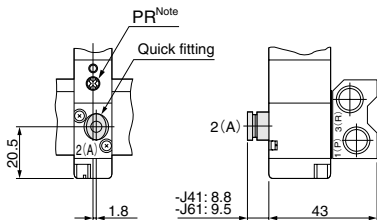
| Model   | L   | P   |
|---------|-----|-----|
| 111M2AJ | 48  | 41  |
| 3AJ     | 64  | 57  |
| 4AJ     | 80  | 73  |
| 5AJ     | 96  | 89  |
| 6AJ     | 112 | 105 |
| 7AJ     | 128 | 121 |
| 8AJ     | 144 | 137 |
| 9AJ     | 160 | 153 |
| 10AJ    | 176 | 169 |
| 11AJ    | 192 | 185 |
| 12AJ    | 208 | 201 |
| 13AJ    | 224 | 217 |
| 14AJ    | 240 | 233 |
| 15AJ    | 256 | 249 |
| 16AJ    | 272 | 265 |
| 17AJ    | 288 | 281 |
| 18AJ    | 304 | 297 |
| 19AJ    | 320 | 313 |
| 20AJ    | 336 | 329 |

SOLENOID VALVES 110 SERIES

## Options

- With quick fitting (2-, 3-port):

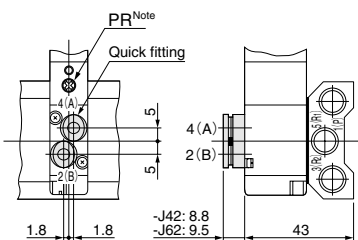
- J41 (For φ 4 tube, 2(A) or 4(A) port with fitting)
- J61 (For φ 6 tube, 2(A) or 4(A) port with fitting)



Note : PR is on the A port side.

- With quick fittings (5-port):

- J42 (For φ 4 tube, 4(A), 2(B) ports with fittings)
- J62 (For φ 6 tube, 4(A), 2(B) ports with fittings)



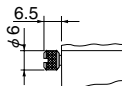
Note : PR is on the side with the 4(A), 2(B) ports.

Remark: Valves with quick fittings do not have 2-φ 3.2 side mounting holes. Moreover, the quick fittings are the following types:

**TSK4-M8M** (for φ 4 tube), **TSK6-M8M** (for φ 6 tube)

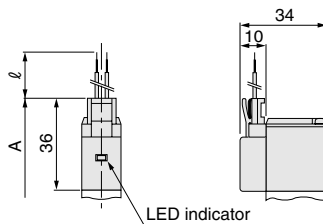
- Locking protruding type manual override: **-83**

110-ROCK



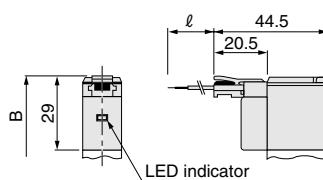
- Solenoid with straight connector: **-PSL**

110-PSL □



- Solenoid with L connector: **-PLL**

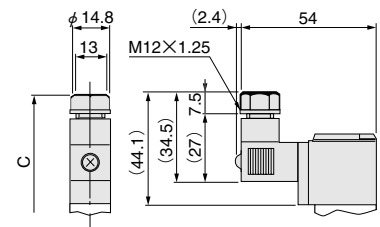
110-PLL □



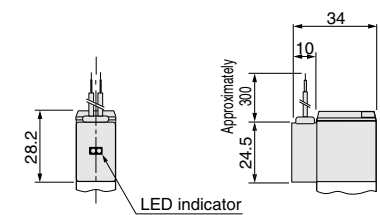
## Made to Order

110-PSL □

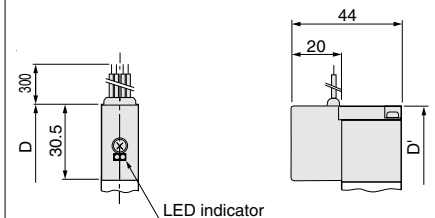
- Solenoid with DIN connector: **-39**



- Solenoid with LED indicator: **-L**



- Built-in interface unit: **-FA**



mm

| Model                                 | Code | A    | B    | C     | D   | D'    | ℓ (lead wire length) |
|---------------------------------------|------|------|------|-------|-----|-------|----------------------|
| 111E1, A111E1                         |      | 82.5 | 75.5 | 90.6  | 77  | 77.2  |                      |
| 110-4E1, 110-4KE2, 113-4KE2, A110-4E1 |      | 88.5 | 81.5 | 96.6  | 83  | 83.2  |                      |
| 110-4E2, A110-4E2                     |      | 134  | 120  | 150.2 | 123 | 133.4 |                      |
| 113-4E2, A113-4E2                     |      | 146  | 132  | 162.2 | 135 | 135.4 |                      |

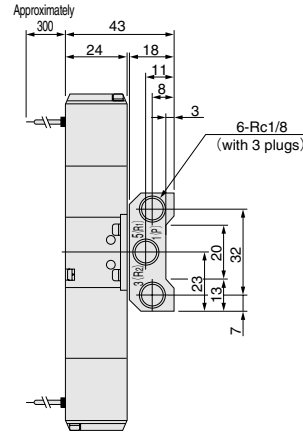
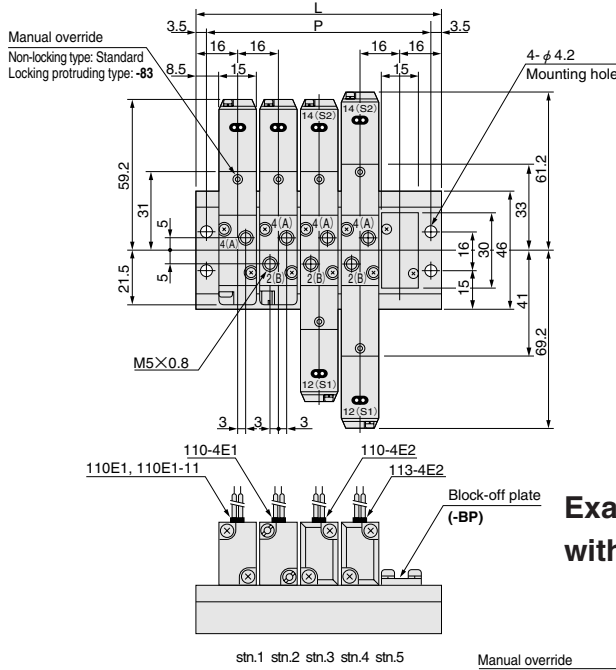
**-PSL, -PLL** : 300  
Made to order **-1L** : 1000, **-3L** : 3000



# Dimensions of Manifold for Combination Mounting of 2-, 3-, 5-port Valves (mm)

110M□F

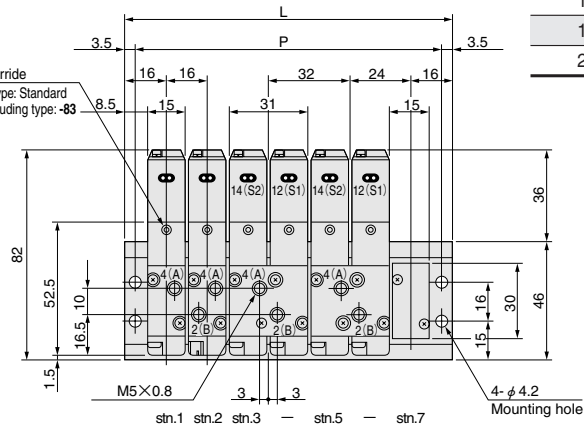
CAD 110M-F



## Unit dimensions

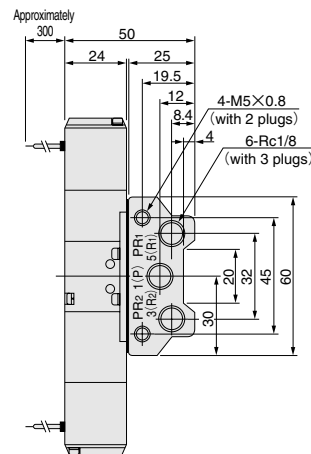
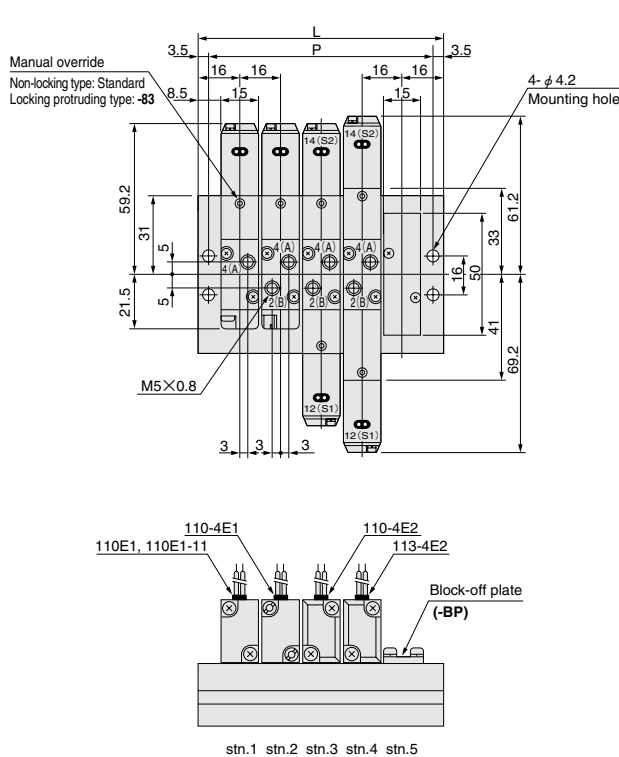
| Model  | L   | P   |
|--------|-----|-----|
| 110M2F | 48  | 41  |
| 3F     | 64  | 57  |
| 4F     | 80  | 73  |
| 5F     | 96  | 89  |
| 6F     | 112 | 105 |
| 7F     | 128 | 121 |
| 8F     | 144 | 137 |
| 9F     | 160 | 153 |
| 10F    | 176 | 169 |
| 11F    | 192 | 185 |
| 12F    | 208 | 201 |
| 13F    | 224 | 217 |
| 14F    | 240 | 233 |
| 15F    | 256 | 249 |
| 16F    | 272 | 265 |
| 17F    | 288 | 281 |
| 18F    | 304 | 297 |
| 19F    | 320 | 313 |
| 20F    | 336 | 329 |

## Example of combination mounting with twin solenoid valves



110M□FE

CAD 110M-FE

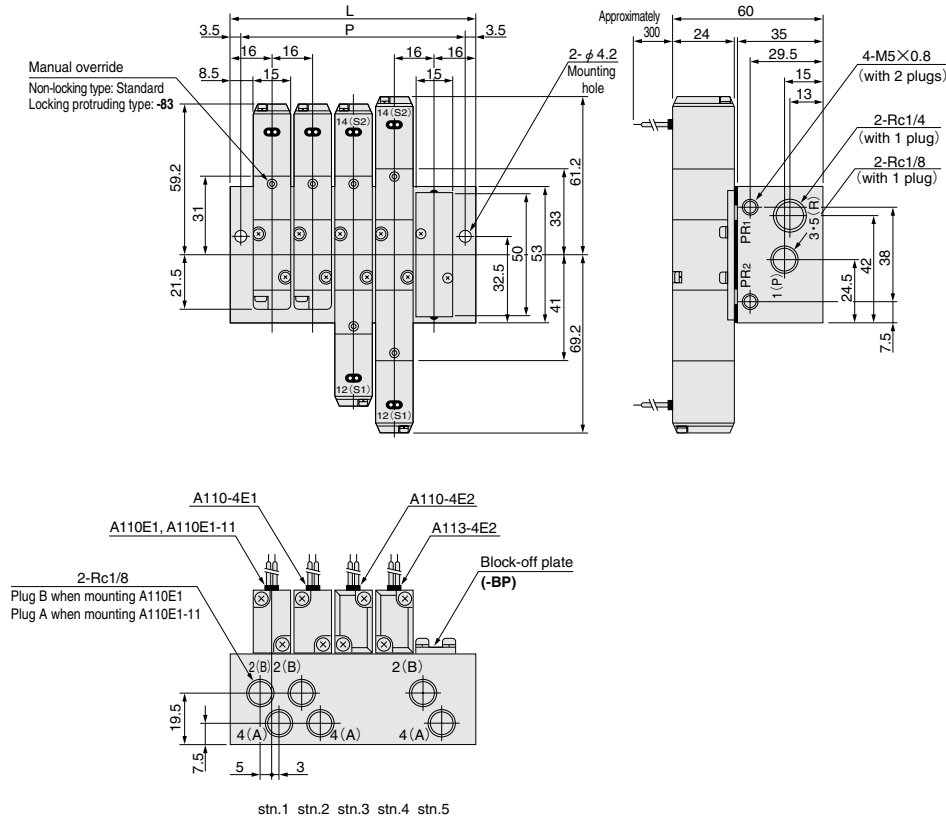


## Unit dimensions

| Model   | L   | P   |
|---------|-----|-----|
| 110M2FE | 48  | 41  |
| 3FE     | 64  | 57  |
| 4FE     | 80  | 73  |
| 5FE     | 96  | 89  |
| 6FE     | 112 | 105 |
| 7FE     | 128 | 121 |
| 8FE     | 144 | 137 |
| 9FE     | 160 | 153 |
| 10FE    | 176 | 169 |
| 11FE    | 192 | 185 |
| 12FE    | 208 | 201 |
| 13FE    | 224 | 217 |
| 14FE    | 240 | 233 |
| 15FE    | 256 | 249 |
| 16FE    | 272 | 265 |
| 17FE    | 288 | 281 |
| 18FE    | 304 | 297 |
| 19FE    | 320 | 313 |
| 20FE    | 336 | 329 |

For options and made to order, see p.310.

# 110M□A

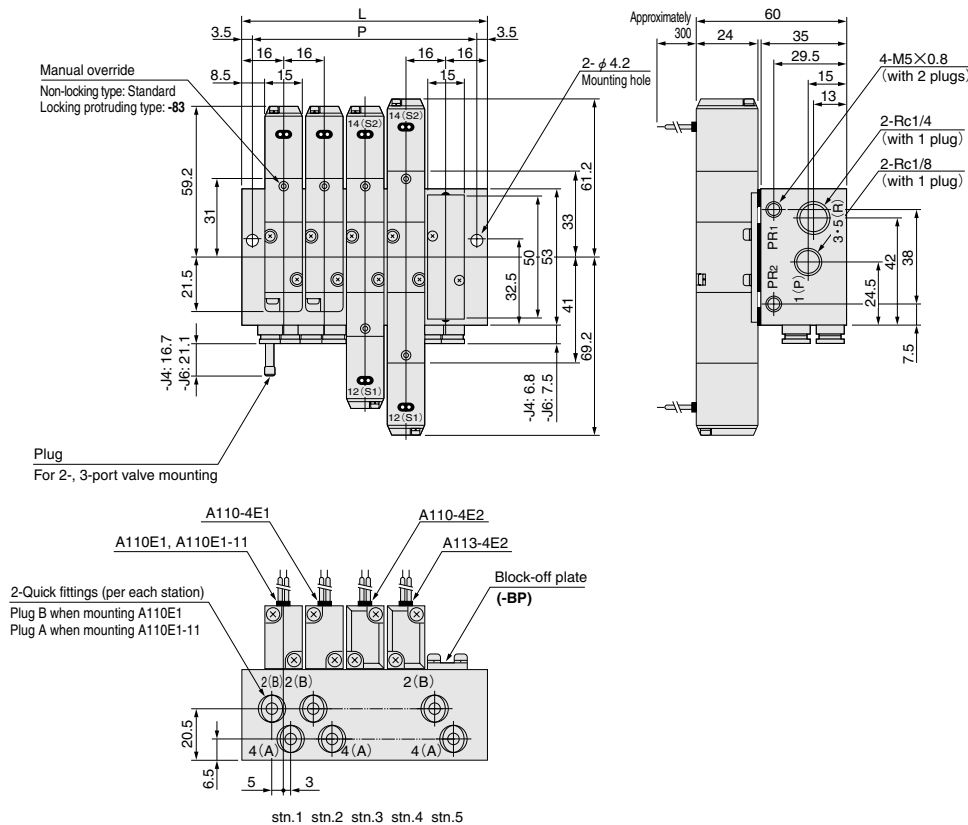


## Unit dimensions

| Model  | L   | P   |
|--------|-----|-----|
| 110M2A | 48  | 41  |
| 3A     | 64  | 57  |
| 4A     | 80  | 73  |
| 5A     | 96  | 89  |
| 6A     | 112 | 105 |
| 7A     | 128 | 121 |
| 8A     | 144 | 137 |
| 9A     | 160 | 153 |
| 10A    | 176 | 169 |
| 11A    | 192 | 185 |
| 12A    | 208 | 201 |
| 13A    | 224 | 217 |
| 14A    | 240 | 233 |
| 15A    | 256 | 249 |
| 16A    | 272 | 265 |
| 17A    | 288 | 281 |
| 18A    | 304 | 297 |
| 19A    | 320 | 313 |
| 20A    | 336 | 329 |

SOLENOID VALVES 110 SERIES

# 110M□AJ



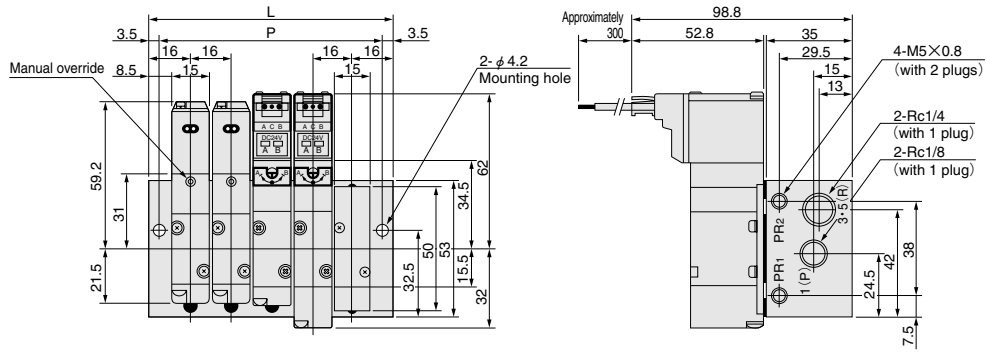
## Unit dimensions

| Model   | L   | P   |
|---------|-----|-----|
| 110M2AJ | 48  | 41  |
| 3AJ     | 64  | 57  |
| 4AJ     | 80  | 73  |
| 5AJ     | 96  | 89  |
| 6AJ     | 112 | 105 |
| 7AJ     | 128 | 121 |
| 8AJ     | 144 | 137 |
| 9AJ     | 160 | 153 |
| 10AJ    | 176 | 169 |
| 11AJ    | 192 | 185 |
| 12AJ    | 208 | 201 |
| 13AJ    | 224 | 217 |
| 14AJ    | 240 | 233 |
| 15AJ    | 256 | 249 |
| 16AJ    | 272 | 265 |
| 17AJ    | 288 | 281 |
| 18AJ    | 304 | 297 |
| 19AJ    | 320 | 313 |
| 20AJ    | 336 | 329 |

For options and made to order, see p.310.

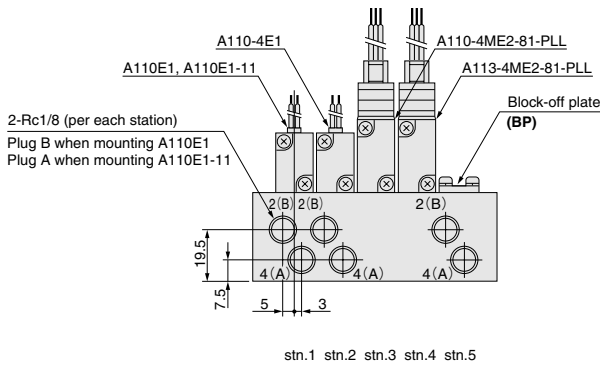
# Dimensions of Manifold for Combination Mounting of Tandem Solenoid and 2-, 3-, 5-port Valves (mm)

## 110M□A



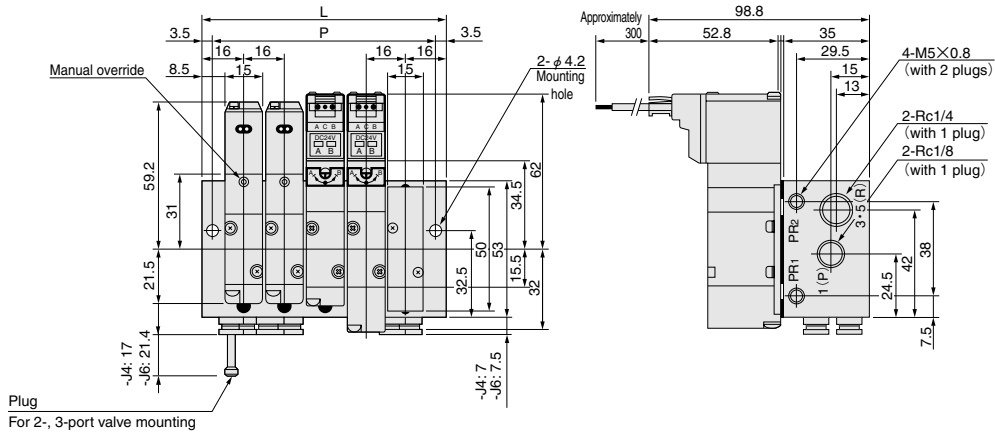
### Unit dimensions

| Model  | L   | P   |
|--------|-----|-----|
| 110M2A | 48  | 41  |
| 3A     | 64  | 57  |
| 4A     | 80  | 73  |
| 5A     | 96  | 89  |
| 6A     | 112 | 105 |
| 7A     | 128 | 121 |
| 8A     | 144 | 137 |
| 9A     | 160 | 153 |
| 10A    | 176 | 169 |
| 11A    | 192 | 185 |
| 12A    | 208 | 201 |
| 13A    | 224 | 217 |
| 14A    | 240 | 233 |
| 15A    | 256 | 249 |
| 16A    | 272 | 265 |
| 17A    | 288 | 281 |
| 18A    | 304 | 297 |
| 19A    | 320 | 313 |
| 20A    | 336 | 329 |



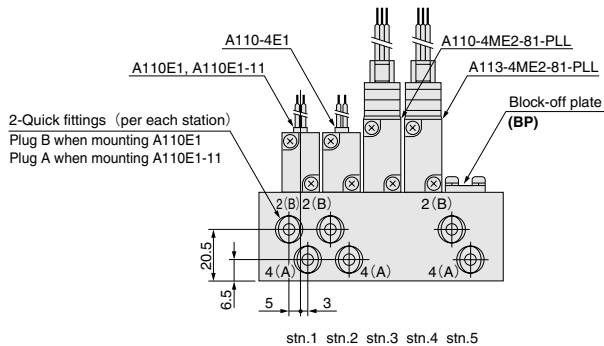
stn.1 stn.2 stn.3 stn.4 stn.5

## 110M□AJ



### Unit dimensions

| Model   | L   | P   |
|---------|-----|-----|
| 110M2AJ | 48  | 41  |
| 3AJ     | 64  | 57  |
| 4AJ     | 80  | 73  |
| 5AJ     | 96  | 89  |
| 6AJ     | 112 | 105 |
| 7AJ     | 128 | 121 |
| 8AJ     | 144 | 137 |
| 9AJ     | 160 | 153 |
| 10AJ    | 176 | 169 |
| 11AJ    | 192 | 185 |
| 12AJ    | 208 | 201 |
| 13AJ    | 224 | 217 |
| 14AJ    | 240 | 233 |
| 15AJ    | 256 | 249 |
| 16AJ    | 272 | 265 |
| 17AJ    | 288 | 281 |
| 18AJ    | 304 | 297 |
| 19AJ    | 320 | 313 |
| 20AJ    | 336 | 329 |



stn.1 stn.2 stn.3 stn.4 stn.5



## Made to Order

The 110 series Solenoid Valves include a variety of made to order solenoids for application in a wider range of control and wiring types.

### Plug connector

Straight connector with LED indicator



- Without lead wire
- Connector and contacts included

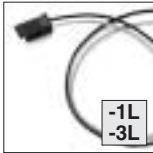
L connector with LED indicator



- Without lead wire
- Connector and contacts included

- When ordering, enter **-PSLN** or **-PSLL** in place of the normal option code for the wiring type.

Lead wire length



- For plug connector
- Length mm [in.]
- 1L : 1000 [39]
- 3L : 3000 [118]

- For lead wire length, **-1L** is 1000mm [39in.] and **-3L** is 3000mm [118in.].

When ordering, enter **-1L** or **-3L** following the wiring type option code.

### DIN connector



A compact connector that is highly resistant to dust and water splashes.

Employs a self-stripping method that eliminates the need for de-sheathing the lead wire.

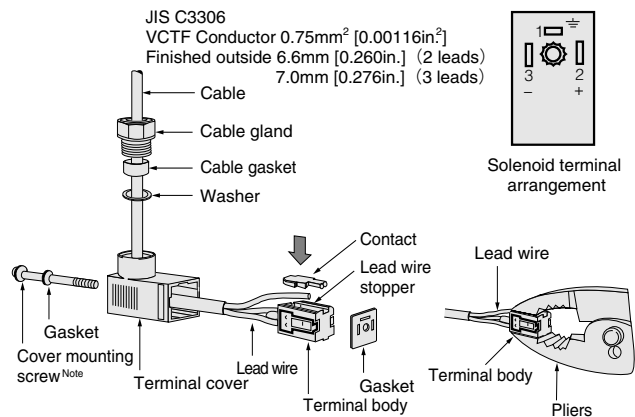
- When ordering, enter **-39** in place of the normal option code for the wiring type.
- A varistor for surge suppression is also equipped. (For the AC100V and AC200V only. For DC12V and DC24V, a flywheel diode for surge suppression is installed as standard equipment.)
- LED indicator is not available.

### Wiring instructions

#### ● Solenoid with DIN connector

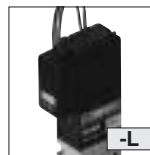
When de-sheathing (only the outer sheath of the cable), pay attention to the lead wire direction. The cover will be easily mounted when the lead wire on the outer side of the terminal cover is set about 8mm [0.31in.] longer than the inner side.

Without stripping off the sheath, insert the lead until it contacts the lead wire stopper on the terminal body, and then place the contact from the upper side. Then use pliers to press the lead wire further to ensure that the contact is firmly touching the core wire.



Note: The appropriate tightening torque for the cover mounting screw is 29.4N·cm {3kgf·cm} [2.6in·lbf].

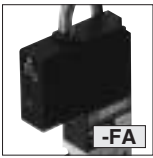
### LED indicator



The LED indicator for confirmation of operation is also available without a plug connector. This creates a clean monoblock look with a compact cover.

- When ordering, enter **-L** in place of the normal option code for the wiring type.
- A varistor for surge suppression is also equipped. (For the AC100V and AC200V only. For the DC12V and DC24V, a flywheel diode for surge suppression is installed as standard equipment.)

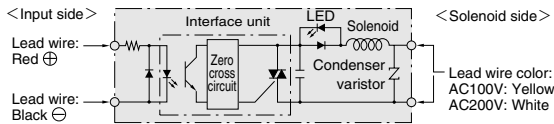
### Built-in interface unit



Includes an interface unit with a photo transistor. Can be directly controlled by a microcomputer and logic chip, and is equipped with full electric noise countermeasures and LED indicators.

- When ordering, enter **-FA** in place of the normal option code for the wiring type.
- Cannot be ordered in combination with any other solenoid option.
- Rated voltages for the solenoid are AC100V and AC200V only.

### Block diagram



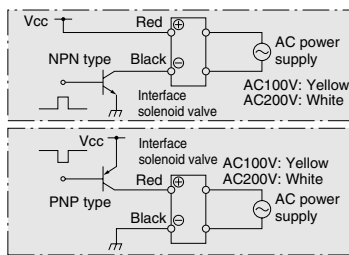
The interface unit is a triac with a photo coupler. Applying DC5V to the input terminals when AC power is applied on the solenoid side causes the LED inside the unit to light up, turns on the triac, and energizes the solenoid. At this time, an LED indicator turns on.

When the input side voltage reaches 0V, the LED inside the unit shuts off, the triac is turned off, and the solenoid is de-energized. At this time, the LED indicator is turned off.

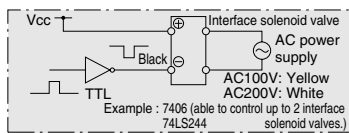
With a built-in zero-cross circuit, the zero-cross voltage is used to turn the power on, and the zero-cross current to turn it off.

### Example of control circuits

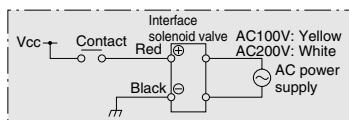
#### 1. Control by transistor



#### 2. Control by TTL, IC

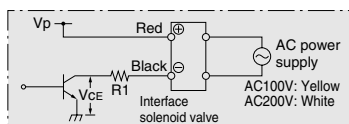


#### 3. Control by relay contact



#### 4. When input is not a DC5V power supply

Install resistance externally to drop the input voltage to 4~6V.



Example  $R1 = \frac{Vp - 5 - V_{CE}}{18 \times 10^{-3}} [\Omega]$

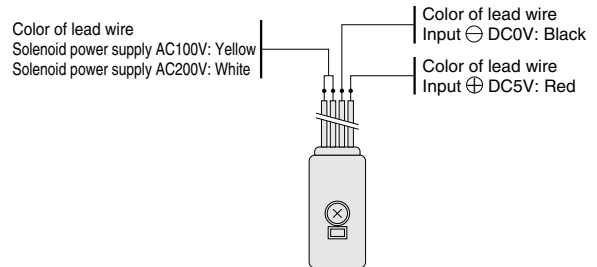
| $Vp [V]$ | $R1$              |
|----------|-------------------|
| 12       | 390 $\Omega$ 1/4W |
| 24       | 1.0K $\Omega$ 1W  |

In the case of  $V_{CE} = 0 [V]$

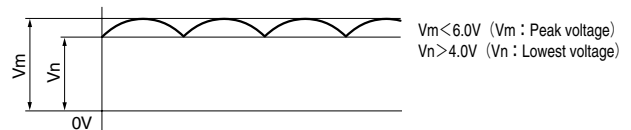
### Solenoid Specifications for Valve with Built-in Interface Unit

| Item                             |   | Specifications   |                                    |          |                            |     |
|----------------------------------|---|--|------------------------------------|----------|----------------------------|-----|
| Input side                       | Rated voltage                           | DC V   | 5                                  |          |                            |     |
|                                  | Voltage range                           | DC V   | 4~6                                |          |                            |     |
|                                  | Current (when 5V DC is applied)         | mA   | 18                                 |          |                            |     |
|                                  | Operating voltage                       | DC V   | 4 or below                         |          |                            |     |
|                                  | Return voltage                          | DC V   | 0.8 or over                        |          |                            |     |
|                                  | Color of lead wire                      |  | Red (+), Black (-)                 |          |                            |     |
| Solenoid side                    | Rated voltage                           | AC V   | 100                                | 200      |                            |     |
|                                  | Type                                    |  | Shading type                       |          |                            |     |
|                                  | Operating voltage range                 | AC V   | 90~125<br>(100 $\pm$ 25%)          |          | 180~250<br>(200 $\pm$ 25%) |     |
|                                  | Current (when rated voltage is applied) | Frequency Hz   | 50                                 | 60       | 50                         | 60  |
|                                  |   | Starting mA(r.m.s)   | 36                                 | 32       | 18                         | 16  |
|                                  | Leakage current                         | Frequency Hz   | 50                                 | 60       | 50                         | 60  |
|                                  |   | Current mA(r.m.s)  | 0.3                                | 0.4      | 0.6                        | 0.8 |
|                                  | Surge suppression (as standard)         |  | Built-in varistor on solenoid side |          |                            |     |
|                                  | Color of lead wire                      |  | Yellow                             |          | White                      |     |
|                                  | Color of LED indicator (as standard)    |  | Yellow                             |          | Green                      |     |
| Voltage resistance               |   | Min. AC1500V at input side and solenoid side                               |                                    |          |                            |     |
| Insulation resistance            | M $\Omega$                              | Between input side and solenoid side, and between whole terminals and body |                                    | Over 100 |                            |     |
| Zero-cross function              |   | Available  |                                    |          |                            |     |
| Wiring type and lead wire length |   | Grommet type: 300mm [11.8in.]  |                                    |          |                            |     |

### Wiring instructions



1. Separate the input side and solenoid side lead wires by color. Never apply AC power/6VDC or more to the input side.
2. Ensure that voltage ripple on the input side remains within the range shown below.



3. Even when a wrong polarity is applied to the input side, a built-in diode for protection against reverse polarity eliminates any worry about short circuiting. The valve will not operate, however.
4. A varistor and condenser are built-in in the solenoid power supply side, for protection circuit against external surge voltages. As a result, there is a 0.3mA leakage current in AC100V, and a 0.6mA leakage current in AC200V.
5. The operation and return times of the interface unit are 10ms or less with a 50Hz AC power supply, and 8ms or less with a 60Hz AC power supply.



## Made to Order

### Air-piloted valves 110 series

- The ideal air valve for master valves or pilot valves for total pneumatic control.



## Effective Area

mm<sup>2</sup> (Cv)

| Specifications                           | Basic model                               | For direct piping, F type manifold   | For sub-base, A, AJ type manifolds   |
|--|---|--|--|
|  |   | 110-4A, 110-4A2  | A110-4A, A110-4A2  |
| Single valve                             |   | 4.2 [0.23]   | 4.0 [0.22]   |
| Built-in quick fitting for $\phi$ 4 tube | -J42 4(A), 2(B) ports with fittings       | 3.6 [0.20]   | 3.6 [0.20] (When mounted on the AJ type manifold with -J4 specification)   |
|  | -J43 1(P), 4(A), 2(B) ports with fittings |  | —  |
| Built-in quick fitting for $\phi$ 6 tube | -J62 4(A), 2(B) ports with fittings       | —  | 4.0 [0.22] (When mounted on the AJ type manifold with -J4 specification)   |
|  | -J63 1(P), 4(A), 2(B) ports with fittings | —  | —  |
| Remarks                                  |   | <ul style="list-style-type: none"> <li>● Attaching TS4-M5 to the 1(P), 4(A), 2(B) ports gives the value 1.8 [0.1].</li> <li>● On the F type manifold, attaching TS4-M5 to the 4(A), 2(B) ports gives the value 2.1 [0.12].</li> <li>● When large flow rates are required, we recommend the built-in quick fittings.</li> </ul> | <ul style="list-style-type: none"> <li>● Attaching TS4-01 to the 1(P), 4(A), 2(B) ports on the sub-base (-25) gives the value 3.2 [0.18].</li> </ul> |

## Specifications

| Item   | Basic model | For direct piping, F type manifold            |                       | For sub-base, A, AJ type manifolds |                               |
|--|-------------|---|-----------------------|------------------------------------|-------------------------------|
|  |             | Single pilot                                  | Double pilot          | Single pilot                       | Double pilot                  |
| Media  |             | Air   |                       |                                    |                               |
| Operation type   |             | Air-piloted type                              |                       |                                    |                               |
| Number of positions and ports                              |             | 2 positions, 5 ports                          |                       |                                    |                               |
| Effective area (Cv) mm <sup>2</sup>                        |             | 4.2 [0.23] Note 1                             |                       |                                    |                               |
| Port size  | Main        | M5×0.8 Note 2                                 |                       | — Note 2                           |                               |
|  | Pilot       | M5×0.8  |                       |                                    |                               |
| Lubrication  |             | Not required                                  |                       |                                    |                               |
| Operating pressure range MPa (kgf/cm <sup>2</sup> ) [psi.] | Main        | 0.15~0.7 {1.5~7.1} [22~102]                   | 0~0.7 {0~7.1} [0~102] | 0.15~0.7 {1.5~7.1} [22~102]        | 0~0.7 {0~7.1} [0~102]         |
|  | Pilot       | See the table "Minimum Pilot Pressure"        |                       |                                    |                               |
| Proof pressure MPa (kgf/cm <sup>2</sup> ) [psi.]           |             | 1.05 {10.7} [152]                             |                       |                                    |                               |
| Operating temperature range (atmosphere and media) °C [°F] |             | 5~60 [41~140]                                 |                       |                                    |                               |
| Shock resistance m/s <sup>2</sup> (G)                      |             | 1373.0 {140.0} (Axial direction 294.2 {30.0}) |                       |                                    |                               |
| Mounting direction   |             | Any   |                       |                                    |                               |
| Maximum operating frequency Hz                             |             | 5   |                       |                                    |                               |
| Mass g [oz.]   |             | 40 [1.41]                                     | 45 [1.59]             | 45 [1.59] (140 [4.94]) Note 3      | 50 [1.76] (145 [5.11]) Note 3 |

- Notes: 1. For details, see the effective area.  
 2. For details, see the port size.  
 3. Figures in parentheses ( ) are the mass with sub-plate: -25.  
 ※ For optional specifications and order codes, see p.301 ~ 302.

## Port Size

| Specifications         | Basic model | Port         | For direct piping, F type manifold | For sub-base, A, AJ type manifolds | Remarks   |                        |
|------------------------|-------------|--------------|------------------------------------|------------------------------------|---|------------------------|
|                        |             |              | 110-4A, 110-4A2                    | A110-4A, A110-4A2                  |   |                        |
| Female thread          |             | 1 (P)        | M5×0.8                             | —                                  | Standard  |                        |
|                        |             | 4(A), 2(B)   |                                    |                                    |   |                        |
|                        |             | 3(R2), 5(R1) |                                    |                                    |   |                        |
| Built-in quick fitting | -J42        | 1 (P)        | M5×0.8                             | —                                  | <ul style="list-style-type: none"> <li>● Straight type</li> <li>● For <math>\phi</math> 4 tube</li> <li>● For both nylon tubes and urethane tubes</li> </ul>                                      |                        |
|                        |             | 4(A), 2(B)   | Built-in quick fitting             |                                    |   |                        |
|                        | -J43        | 1 (P)        | Built-in quick fitting             |                                    |   |                        |
|                        |             | 4(A), 2(B)   | M5×0.8                             |                                    |   |                        |
| Sub-base -25           |             | 1 (P)        | —                                  | Rc1/8                              | ● All ports sub-base piping   |                        |
|                        |             | 4(A), 2(B)   |                                    |                                    |   |                        |
|                        |             | 3(R2), 5(R1) |                                    |                                    |   |                        |
| F type manifold        |             | 1 (P)        | Rc1/8                              | M5×0.8 or quick fitting            | ● 1(P), 3(R2), 5(R1) manifold, 4(A), 2(B) valve piping  |                        |
|                        |             | 4(A), 2(B)   |                                    |                                    |   |                        |
|                        |             | 3(R2), 5(R1) | Rc1/8                              |                                    |   |                        |
| A type manifold        |             | 1 (P)        | —                                  | Rc1/8                              | ● All ports manifold piping   |                        |
|                        |             | 4(A), 2(B)   |                                    |                                    |   |                        |
|                        |             | 3, 5(R)      |                                    |                                    |   | Rc1/4                  |
| AJ type manifold       |             | 1 (P)        | —                                  | Rc1/4                              | <ul style="list-style-type: none"> <li>● All ports manifold piping</li> <li>● 4(A), 2(B) ports</li> <li>-J4 : For <math>\phi</math> 4 tube</li> <li>-J6 : For <math>\phi</math> 6 tube</li> </ul> |                        |
|                        |             | 4(A), 2(B)   |                                    | -J4                                |   | Built-in quick fitting |
|                        |             |              |                                    | -J6                                |   | Built-in quick fitting |
|                        |             | 3, 5(R)      |                                    | Rc1/4                              |   |                        |

## Manifold Specifications and Port Size

| Manifold model | Specifications  | Port           | Port size  |                                 |
|----------------|---|----------------|--|---------------------------------|
| F type         | P, R manifold piping<br>A, B valve piping                       | 1 (P)          | Rc1/8  |                                 |
|                |   | 4 (A), 2 (B)   | M5×0.8 or quick fitting (Valve order code: -J42) |                                 |
|                |   | 3 (R2), 5 (R1) | Rc1/8  |                                 |
| A type         | All ports manifold piping                                       | 1 (P)          | Rc1/8  |                                 |
|                |   | 4 (A), 2 (B)   | Rc1/8  |                                 |
|                |   | 3, 5 (R)       | Rc1/4  |                                 |
| AJ type        | A, B ports built-in quick fittings<br>All ports manifold piping | 1 (P)          | Rc1/8  |                                 |
|                |   | 4 (A), 2 (B)   | -J4  | Quick fitting for $\phi$ 4 tube |
|                |   |                | -J6  | Quick fitting for $\phi$ 6 tube |
|                |   | 3, 5 (R)       | Rc1/4  |                                 |

- ※ For optional specifications and order codes, see p.302.

## Manifold Mass

g [oz.]

| Manifold model | Mass calculation of each unit (n=number of units) | Mounting valve |           |           |           |
|----------------|---|----------------|-----------|-----------|-----------|
|                |   | 110-4A         | 110-4A2   | A110-4A   | A110-4A2  |
| F type         | (20×n)+30 [(0.71×n)+1.06]                         | 40 [1.41]      | 45 [1.59] | —         | —         |
| A type         | (60×n)+60 [(2.12×n)+2.12]                         | —              | —         | 45 [1.59] | 50 [1.76] |
| AJ type        | -J4 (67×n)+60 [(2.36×n)+2.12]                     | —              | —         | 45 [1.59] | 50 [1.76] |
|                | -J6 (64×n)+60 [(2.26×n)+2.12]                     | —              | —         | 45 [1.59] | 50 [1.76] |

Calculation example: The mass of 110M 10F stn.1~5 110-4A, stn.6~10 110-4A2 becomes (20×10)+30+(40×5)+(45×5)=655g [23.10 oz.]

## Minimum Pilot Pressure

MPa (kgf/cm<sup>2</sup>) [psi.]

| Model   | Main pressure   |                 |                 |                 |
|---------|-----------------|-----------------|-----------------|-----------------|
|         | 0.15 {1.5} [22] | 0.3 {3.0} [44]  | 0.5 {5.1} [73]  | 0.7 {7.1} [102] |
| 110-4A  | 0.15 {1.5} [22] | 0.25 {2.5} [36] | 0.34 {3.5} [49] | 0.45 {4.5} [65] |
| 110-4A2 | 0.08 {0.8} [12] | 0.10 {1.0} [15] | 0.12 {1.2} [17] | 0.14 {1.4} [20] |

## Required Time for Switching

S

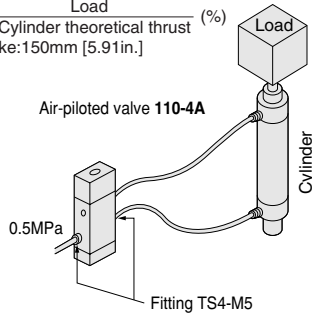
| Model    | Operation | Pilot line length L m [ft.] |          |           |           |            |             | Measurement circuit | Measurement conditions  |
|----------|-----------|-----------------------------|----------|-----------|-----------|------------|-------------|---------------------|---|
|          |           | 2 [6.6]                     | 6 [19.7] | 10 [32.8] | 20 [65.6] | 50 [163.9] | 100 [327.8] |                     |   |
| 110-4A   | ON        | 0.06                        | 0.14     | 0.26      | 0.63      | 2.30       | 6.54        |                     | <ul style="list-style-type: none"> <li>● Pilot valve=050-4E1 (effective area 1.2mm<sup>2</sup> [Cv: 0.067])</li> <li>● Tube inner diameter = 4mm [0.16in.]</li> <li>● Air pressure (both main and pilot)=0.5MPa [73psi.]</li> </ul> |
|          | OFF       | 0.12                        | 0.33     | 0.67      | 1.65      | 6.30       | 19.50       |                     |   |
| A110-4A2 | ON        | 0.07                        | 0.16     | 0.29      | 0.70      | 2.66       | 7.40        |                     |   |
|          | OFF       |                             |          |           |           |            |             |                     |   |

# Cylinder Operating Speed and Flow Rate

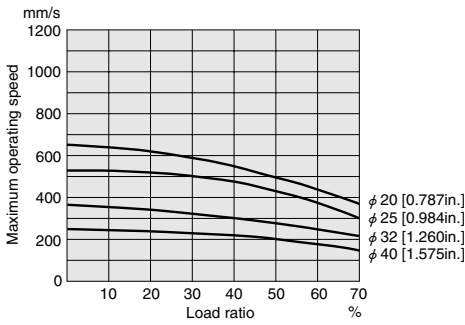
## 110-4A

### ● Measurement conditions

- Air pressure : 0.5MPa {5.1kgf/cm<sup>2</sup>} [73psi.]
- Piping inner diameter and length : φ 2.5 [0.10in.]×1000mm [39in.]
- Fitting : Quick fitting TS4-M5
- Load ratio =  $\frac{\text{Load}}{\text{Cylinder theoretical thrust}}$  (%)
- Cylinder stroke:150mm [5.91in.]



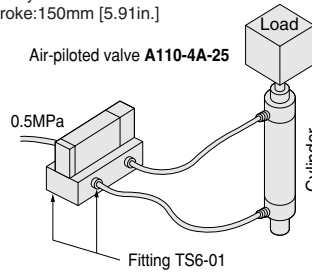
### Maximum operating speed



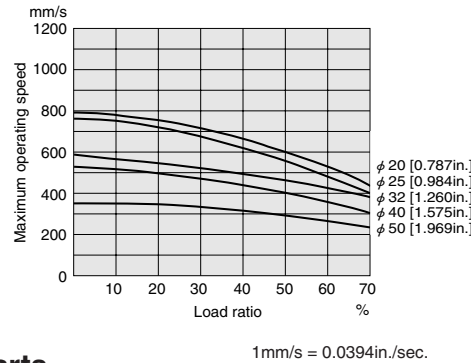
## A110-4A-25

### ● Measurement conditions

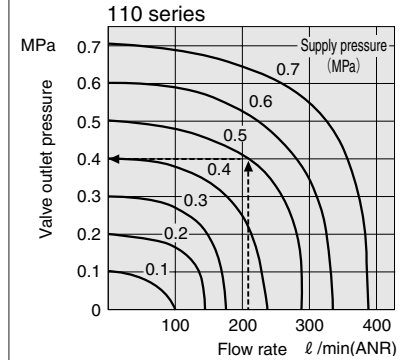
- Air pressure : 0.5MPa {5.1kgf/cm<sup>2</sup>} [73psi.]
- Piping inner diameter and length : φ 4 [0.16in.]×1000mm [39in.]
- Fitting : Quick fitting TS6-01
- Load ratio =  $\frac{\text{Load}}{\text{Cylinder theoretical thrust}}$  (%)
- Cylinder stroke:150mm [5.91in.]



### Maximum operating speed



### Flow rate



1MPa = 145psi., 1 l /min = 0.0353 ft<sup>3</sup>/min.

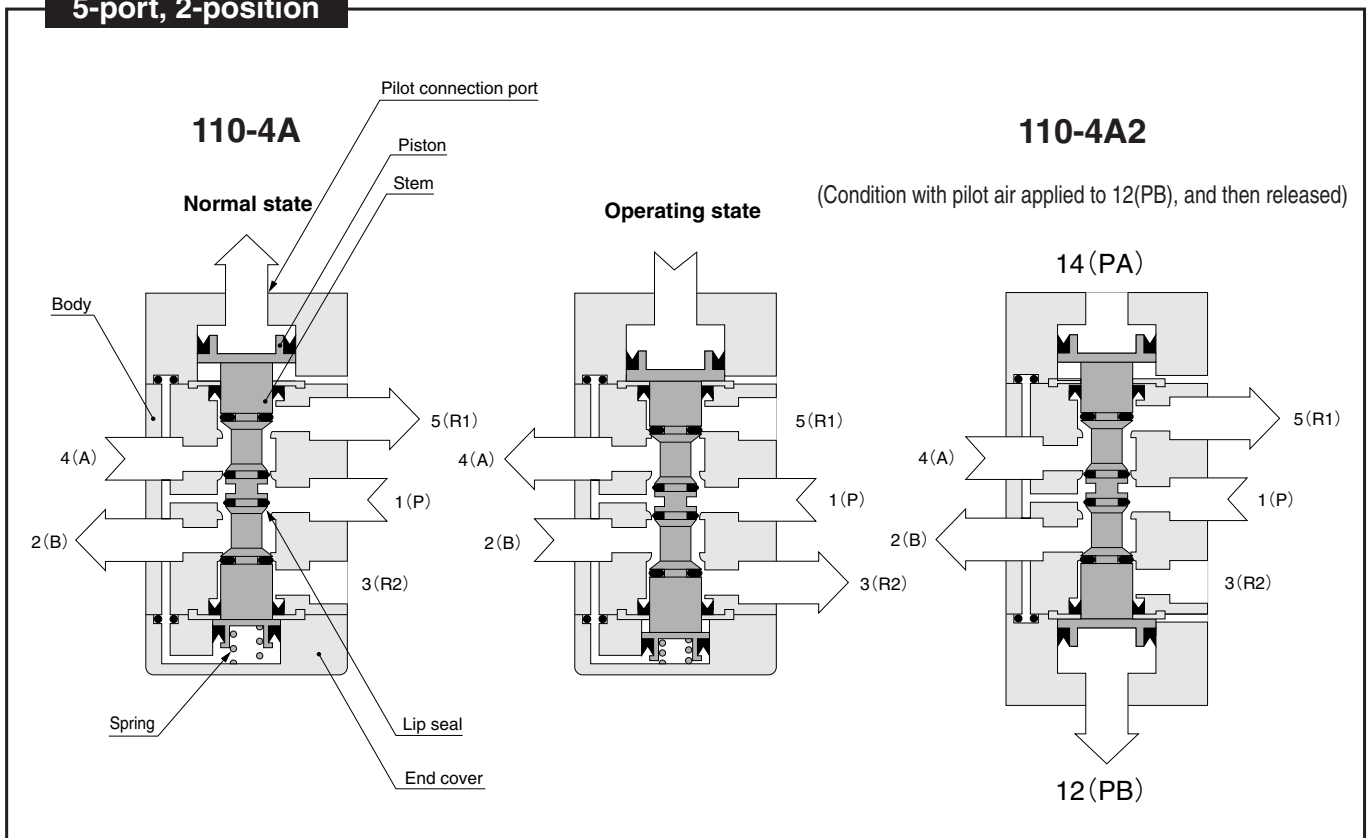
### How to read the graph

When the supply pressure is 0.5MPa [73psi.] and the flow rate is 210 l /min [7.41ft<sup>3</sup>/min.] (ANR), the valve outlet pressure becomes 0.4 MPa [58psi.].

SOLENOID VALVES 110 SERIES

## Operating Principles and Major Parts

### 5-port, 2-position



## Major Parts and Materials

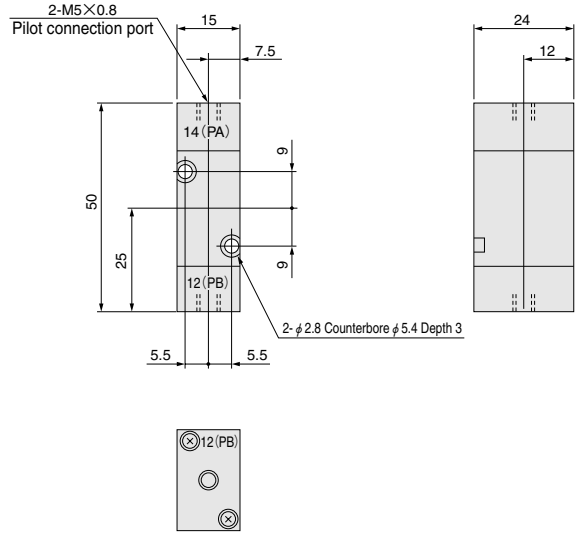
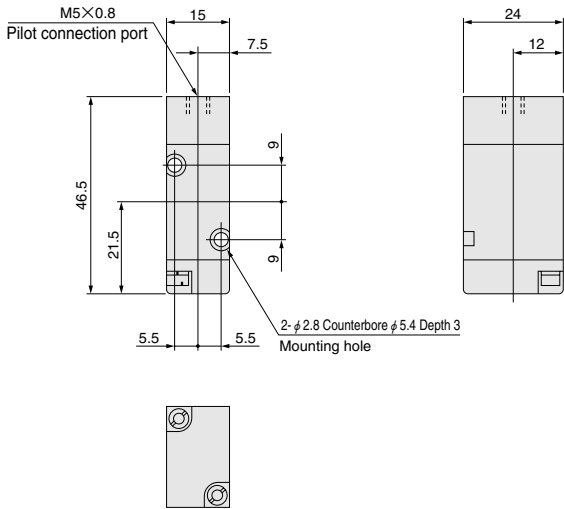
| Parts         | Materials                 |
|---------------|---------------------------|
| Body          | Aluminum alloy            |
| Stem          | (anodized)                |
| Lip seal      | Synthetic rubber          |
| Mounting base | Mild steel (zinc plated)  |
| Sub-base      | Aluminum alloy (anodized) |



# Dimensions of Air-piloted 5-port, 2-position Valve (mm)

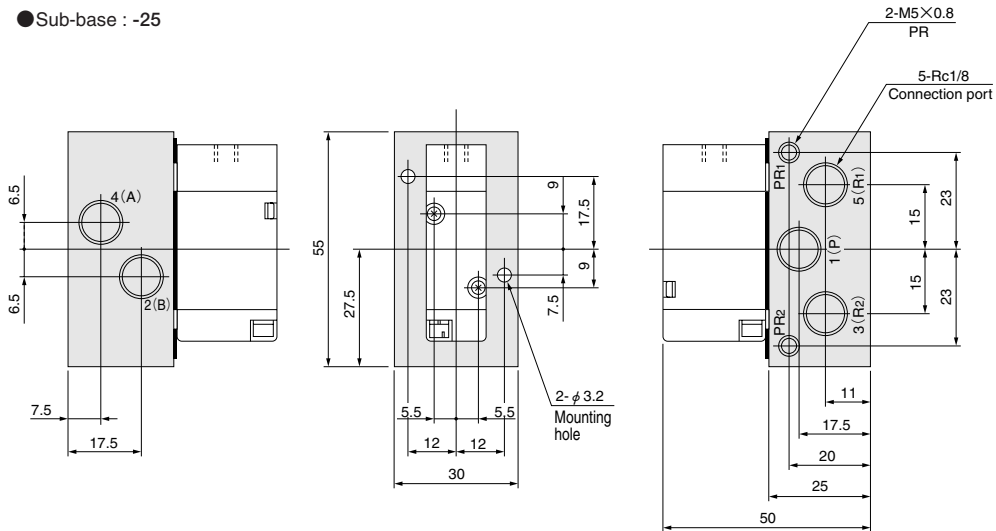
## A110-4A

## A110-4A2

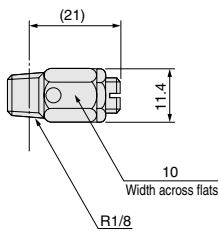


## Options

● Sub-base : -25



● Speed controller : -70



# Handling Instructions and Precautions

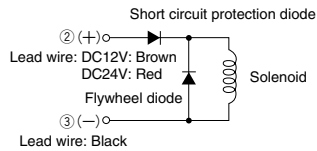


## Solenoid

### Internal circuit

#### ●DC12V, DC24V

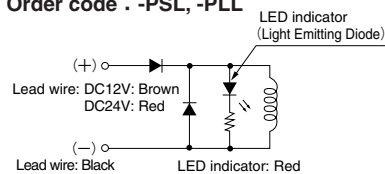
#### Standard solenoid (Surge suppression)



② and ③ are for with DIN connector (Order code : -39).

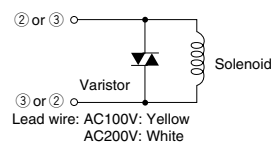
#### Solenoid with LED indicator (Surge suppression)

Order code : -PSL, -PLL



#### ●AC100V, AC200V

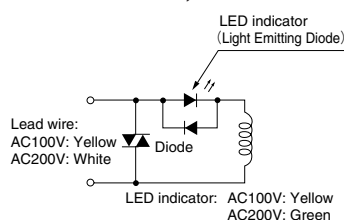
#### Standard solenoid (Surge suppression)



② and ③ are for with DIN connector (Order code : -39).

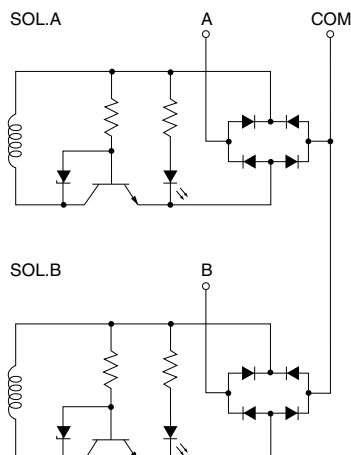
#### Solenoid with LED indicator (Surge suppression)

Order code : -PSL, -PLL



#### ●DC24V

#### Tandem solenoid



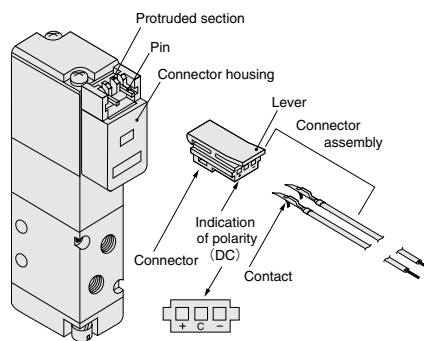
- Cautions:**
1. Do not apply megger between the lead wires.
  2. The DC solenoid will not short circuit even if the wrong polarity is applied, but the valve will not operate.
  3. Leakage current inside the circuit could result in failure of the solenoid valve to return, or in other erratic operation. Always use it within the range of the allowable leakage current. If circuit conditions, etc. cause the leakage current to exceed the allowable leakage current, consult us.
  4. For double solenoid and twin solenoid, avoid energizing both solenoids simultaneously. The valve could fall into a neutral position.



## Plug connector

### Attaching and removing plug connector

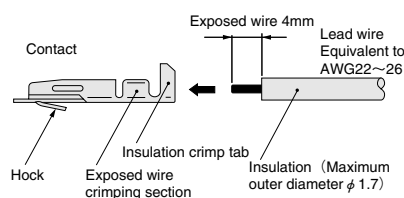
Use fingers to insert the connector into the pin, push it in until the lever claw latches onto the protruded section of the connector housing, and complete the connection. To remove the connector, squeeze the lever along with the connector, lift the lever claw up from the protruded section of the connector housing, and pull it out.



※ Illustration shows the 110 series.

### Crimping of connecting lead wire and contact

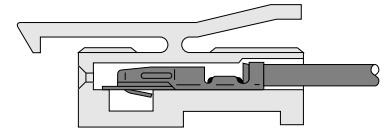
To crimp lead wires into contacts, strip off 4mm [0.16in.] of the insulation from the end of the lead wire, insert it into the contact, and crimp it. Be sure to avoid catching the insulation on the exposed wire crimping section.



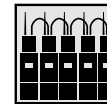
- Cautions:**
1. Do not pull hard on the lead wire.
  2. Always use a dedicated tool for crimping of connecting lead wire and contact.  
Contact: Model 702062-2M  
Manufactured by Sumiko Tech, Inc.  
Crimping tool: Model F1-702062  
Manufactured by Sumiko Tech, Inc.

### Attaching and removing contact and connector

Insert the contact with a lead wire into a plug connector hole until the contact hook latches on the connector and is secured to the plug connector. Confirm that the lead wire cannot be easily pulled out. To remove it, insert a tool with a fine tip (such as a small screwdriver) into the rectangular hole on the side of the plug connector to push up on the hook, and then pull out the lead wire.



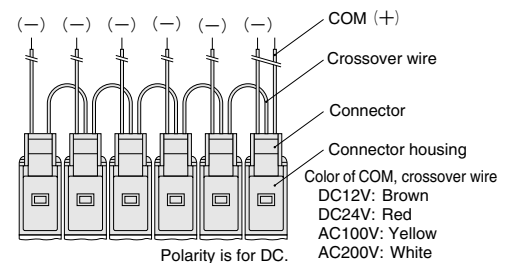
- Cautions:**
1. Do not pull hard on the lead wire. It could result in defective contacts, breaking wires, etc.
  2. If the pin is bent, use a small screwdriver, etc. to gently straighten out the pin, and then complete the connection to the plug connector.



## Common terminal pre-wired plug connector

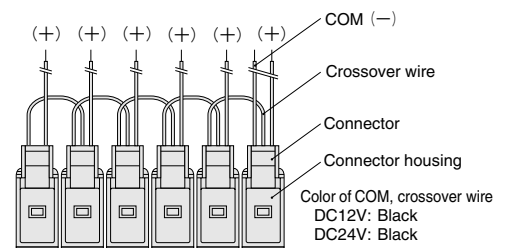
### 1. Pre-wired common terminal at DC positive side or AC.

Order code With straight connector: -CPSL  
With L connector: -CPLL



### 2. Pre-wired common terminal at DC negative side

Order code With straight connector: -CMSL  
With L connector: -CMLL



- Cautions:**
1. The diagrams show the straight connector configuration. While the connector's orientation is different in the case of the L connector, in every case the first COM lead wire comes from the last station's mounted valve.
  2. Since the COM terminal is connected to a crossover terminal inside the connector housing, the connector cannot be switched between a positive common and a negative common by changing the connectors.

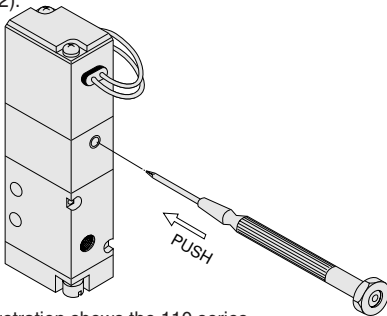


## Manual override

### Non-locking type

To operate the manual override, press it all the way down. The single solenoid valve works the same as when in the energized state as long as the manual override is pushed down, and returns to the normal position upon release.

For the double solenoid and twin solenoid valves, pressing the manual override on the 12(S1) side switches the 12(S1) to enter the energized position, and the unit remains in that state even after the manual override is released. To return it to the normal position, operate the manual override on the 14(S2) side. This is the same for the solenoid 14(S2).

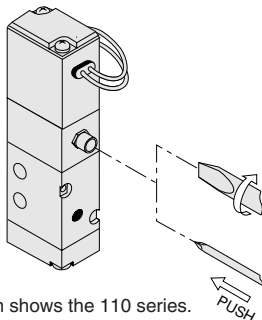


※ Illustration shows the 110 series.

### Locking protruding type

Use a small screwdriver to turn the adjusting knob several times in the clockwise direction, and lock the manual override in place. When locked, turning the adjusting knob several times in the counterclockwise direction releases a spring on the manual override, returns it to the normal position, and releases the lock.

For the locking protruding type, when the adjusting knob is not turned, this type acts just like the non-locking type, like the valve is the energized position as long as the manual override is pushed down, and it returns to the normal position upon release.



※ Illustration shows the 110 series.

**Cautions:** 1. The 110 series valves are internal pilot type solenoid valves. As a result, the manual override cannot switch the main valve without air supplied from the 1(P) port.

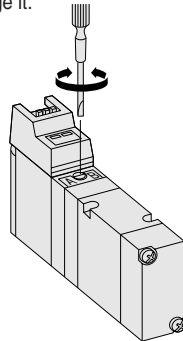
2. Always release the lock of the locking type and locking protruding type manual override before commencing normal operation.
3. Do not attempt to operate the manual override with a pin or other object having an extremely fine tip. It could damage the manual override button.
4. Do not turn the adjusting knob more than needed. It could result in defective operation.



## Manual override (Tandem solenoid)

### Locking type

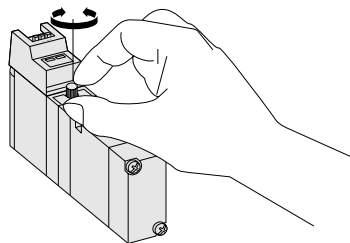
To lock the locking type manual override, use a small screwdriver to push down the manual override in all the way, then set the 0 position as the reference point and turn it in the clockwise direction as far as position A. This achieves the same conditions as when the 14(SA) side is energized, and the manual override is locked in place. For the 12(SB) side, turn it in the counterclockwise direction as far as position B. To release the lock, return the manual override to the 0 position. A spring mechanism returns the manual override to its normal position, and the lock is released. Care should be taken to avoid excessive turning of the manual override, which could damage it.



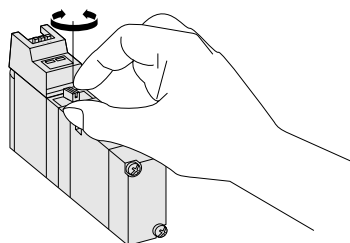
### Locking protruding type, locking manual lever type

To lock the locking protruding type manual override or locking manual lever type, use either a small screwdriver or your fingertips to push the manual override button (manual lever) all the way down, then set the 0 position as the reference point and turn it in the clockwise direction as far as position A. This achieves the same conditions as when the 14(SA) side is energized, and the manual override button (manual lever) is locked in place. For the 12(SB) side, turn it in the counterclockwise direction as far as position B. To release the lock, return the manual override button (manual lever) to the 0 position. A spring mechanism returns the manual override button (manual lever) to its normal position, and the lock is released. Care should be taken to avoid excessive turning of the manual override button (manual lever), which could damage it.

#### Locking protruding type manual override



#### Locking manual lever type



- Cautions:**
1. The 110 series valves are internal pilot type solenoid valves. As a result, the manual override cannot switch the main valve without air supplied from the 1(P) port.
  2. Always release the lock of the locking protruding type manual override before commencing normal operation.
  3. Do not attempt to operate the manual override with a pin or other object having an extremely fine tip. It could damage the manual override button.
  4. Do not turn the adjusting knob more than needed. It could result in defective operation.

### Mounting base 110-21

When installing a mounting base to the valve, always use the provided screws. The recommended tightening torque for the screws is 49N·cm {5kgf·cm} [4.3in·lbf].

### Mounting valves on manifold

When mounting valves on manifold, apply the recommended tightening torque of 39.2N·cm {4kgf·cm} [3.5in·lbf] for the valve mounting screws.



# PC Board Manifold 110 Series Specifications

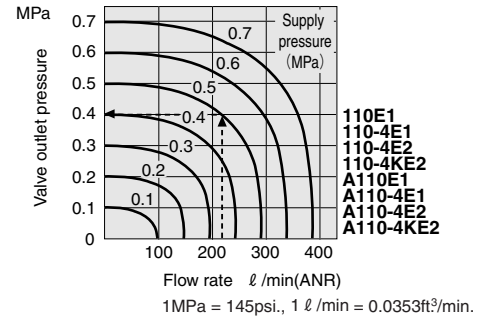
## Manifold Basic Models and Specifications

| Item   | Basic model   | Manifold function |               | 1(P), 3(R2), 5(R1) manifolds | All port manifold | All port manifold with quick fittings |
|--|---|-------------------|---------------|------------------------------|-------------------|---------------------------------------|
|  |   | Number of units   | 8 stations    | 110M8FP                      | 110M8AP           | 110M8AJP                              |
|  |   |                   | 16 stations   | 110M16FP                     | 110M16AP          | 110M16AJP                             |
| Type of mounting valve                             | 2-, 3-port  |                   |               | 110E1                        | A110E1            |                                       |
|  | 5-port, single solenoid   |                   |               | 110-4E1                      | A110-4E1          |                                       |
|  | 5-port, double solenoid   |                   |               | 110-4E2                      | A110-4E2          |                                       |
|  | 5-port, 3-position  |                   |               | 113-4E2                      | A113-4E2          |                                       |
|  |   |                   |               | 113-4KE2                     | A113-4KE2         |                                       |
| Wiring type  | Connector for flat cable (AWG 28) <sup>Note1</sup> : With short clip (standard)<br>With long clip (optional) <sup>Note2</sup> |                   |               |                              |                   |                                       |
| Common wiring                                      | Positive common (standard)<br>Negative common (optional: <b>-CM</b> ) <sup>Note 2</sup>                                       |                   |               |                              |                   |                                       |
| Operating temperature range (atmosphere and media) | °C [°F]   |                   | 5~50 [41~122] |                              |                   |                                       |
| Shock resistance                                   | m/s <sup>2</sup> {G}  |                   | 294.2 {30.0}  |                              |                   |                                       |
| Mounting direction                                 | Any   |                   |               |                              |                   |                                       |

Notes: 1. For details about specifications, see the specifications of the connector for the flat cable.  
2. For order codes, see p.324.

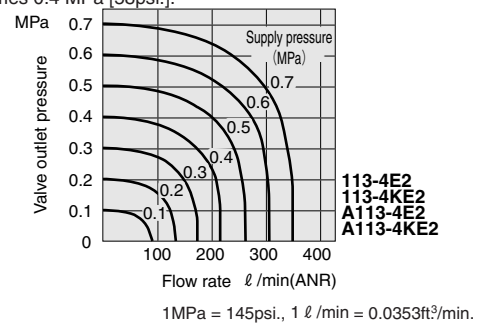


## Flow Rate



### How to read the graph

When the supply pressure is 0.5MPa [73psi.] and the flow rate is 210 l/min [7.41ft<sup>3</sup>/min.] (ANR), the valve outlet pressure becomes 0.4 MPa [58psi.].



## Solenoid Valve Specifications

| Item                                      | Basic model                     | FP type manifold       | 110E1                       | 110-4E1  | 110-4E2     | 110-4KE2  | 113-4E2        | 113-4KE2  |
|---|---------------------------------|------------------------|-----------------------------|----------|-------------|-----------|----------------|-----------|
|   |                                 | AP, AJP type manifolds | A110E1                      | A110-4E1 | A110-4E2    | A110-4KE2 | A113-4E2       | A113-4KE2 |
| Media                                     | Air                             |                        |                             |          |             |           |                |           |
| Operation type                            | Internal pilot type             |                        |                             |          |             |           |                |           |
| Effective area [Cv]                       | mm <sup>2</sup>                 |                        | 4.2{0.23}                   |          | 3.8{0.21}   |           |                |           |
| Lubrication                               | Not required                    |                        |                             |          |             |           |                |           |
| Operating pressure range                  | MPa(kgf/cm <sup>2</sup> )[psi.] |                        | 0.15~0.7 {1.5~7.1} [22~102] |          |             |           |                |           |
| Proof pressure                            | MPa(kgf/cm <sup>2</sup> )[psi.] |                        | 1.05 {10.7} [152]           |          |             |           |                |           |
| Response time <sup>Note</sup> ON/OFF      | ms                              |                        | 15/20 or below              |          | 20 or below |           | 15/30 or below |           |
| Maximum operating frequency               | Hz                              |                        | 5                           |          |             |           |                |           |
| Minimum time to energize for self holding | ms                              |                        | —                           |          | 50          |           | —              |           |

Note: Values when air pressure is 0.5MPa [5.1kgf/cm<sup>2</sup>] [73psi.]. The values for □110-4E2 are when switching from the opposite position, while the valves for □113-4E2 are those of the closed center valve, when switching from the neutral position.

## Solenoid Specifications

| Item                                    | Rated voltage  | DC12V                 |   | DC24V                 |  |  |
|---|--|-----------------------|---|-----------------------|--|--|
|   |  | Type                  | Flywheel diode incorporated for surge suppression |                       |  |  |
| Operating voltage range                 | DC V   | 10.8~13.2<br>(12±10%) |   | 21.6~26.4<br>(24±10%) |  |  |
| Current (when rated voltage is applied) | mA   | 140<br>(1.7W)         |   | 75<br>(1.8W)          |  |  |
| Allowable leakage current               | mA   | 8                     |   | 4                     |  |  |
| Insulation resistance                   | MΩ   | Over 100              |   |                       |  |  |
| Wiring type                             | Plug connector type<br>Straight connector <b>-PSL</b> : With dedicated lead wire for PC board connection, with connector |                       |   |                       |  |  |
| Color of lead wire                      | Red (+), Black (-)   |                       |   |                       |  |  |
| Color of LED indicator                  | Red  |                       |   |                       |  |  |

## Specifications of Connector for Flat Cable

| Order code | Header  | Socket <sup>Note</sup>                                 | Strain relief <sup>Note</sup>         | Standard  |
|------------|---|--|---------------------------------------|---|
| Blank      | Box type, with short clip<br>(Part number: 3662-5002SCSC) | Open end type, with nose<br>(Part number: 7910-6500SC) | —                                     | MIL-C-83503 conformity (made by Sumitomo 3M Ltd.) |
| -LC        | Box type, with long clip<br>(Part number: 3662-5002LCSC)  |  | Included<br>(Part number: 3448-7910J) |   |

Remark: Regarding the units with center slots (grooves), note that there is no key groove for the prevention of erroneous insertion.

Note: Included at shipping.

## Manifold Connection Port Size

| Manifold model | Port         | Location of piping ports | Port size                  |
|----------------|--------------|--------------------------|----------------------------|
| 110M□FP        | 1(P)         | Manifold                 | Rc1/8                      |
|                | 4(A), 2(B)   | Valve                    | M5×0.8 <sup>Note</sup>     |
|                | 3(R2), 5(R1) | Manifold                 | Rc1/8                      |
| 110M□AP        | 1(P)         | Manifold                 | Rc1/8                      |
|                | 4(A), 2(B)   |                          | Rc1/4                      |
|                | 3, 5(R)      |                          | M5×0.8                     |
|                | PR           |                          |                            |
| 110M□AJP       | 1(P)         | Manifold                 | Rc1/8                      |
|                | 4(A), 2(B)   |                          | Quick fitting for φ4 or φ6 |
|                | 3, 5(R)      |                          | Rc1/4                      |
|                | PR           |                          | M5×0.8                     |

Note: When the mounting valve is a female thread specification, the ports are this size. For the built-in quick fitting type, quick fittings for φ4 are installed.

## Mass

g [oz.]

| Manifold model | Manifold mass   | Mounting valve mass |          |          |          | Block-off plate |
|----------------|---|---------------------|----------|----------|----------|-----------------|
|                |   | □110E1              | □110-4E1 | □110-4E2 | □113-4E2 |                 |
| 110M8FP        | 240 [8.47]  | 80                  | 80       | 125      | 145      | 6               |
| 110M16FP       | 450 [15.87]   | [2.82]              | [2.82]   | [4.41]   | [5.11]   | [0.21]          |
| 110M8AP        | 590 [20.81]   | 85                  | 85       | 130      | 150      | 11              |
| 110M16AP       | 1120 [39.51]  | [3.00]              | [3.00]   | [4.59]   | [5.29]   | [0.39]          |
| 110M8AJP       | 590+(7×n <sub>1</sub> )+(4×n <sub>2</sub> )<br>[20.81+(0.25×n <sub>1</sub> )+(0.14×n <sub>2</sub> )]  | 85                  | 85       | 130      | 150      | 11              |
| 110M16AJP      | 1120+(7×n <sub>1</sub> )+(4×n <sub>2</sub> )<br>[39.51+(0.25×n <sub>1</sub> )+(0.14×n <sub>2</sub> )] |                     |          |          |          |                 |

Remark: n<sub>1</sub> is the total number of stations with -J4, while n<sub>2</sub> is the total number with -J6.







## Dimensions (mm)

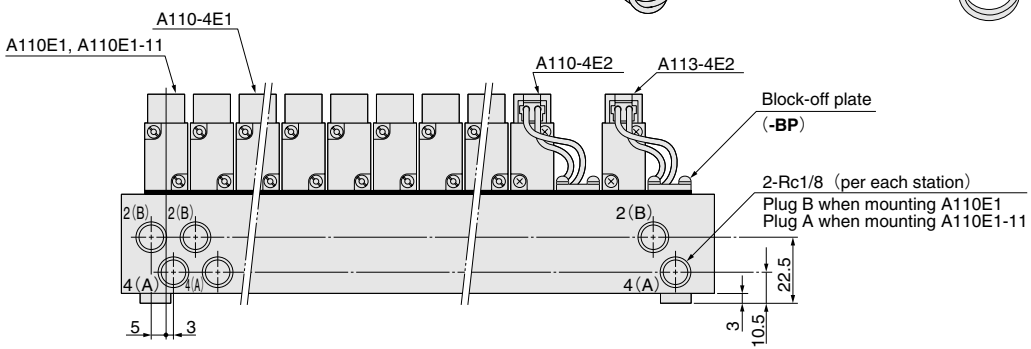
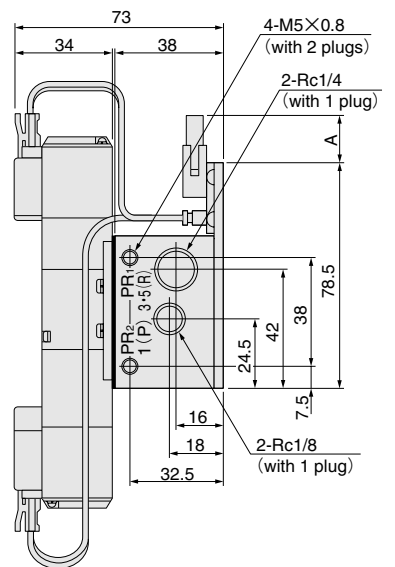
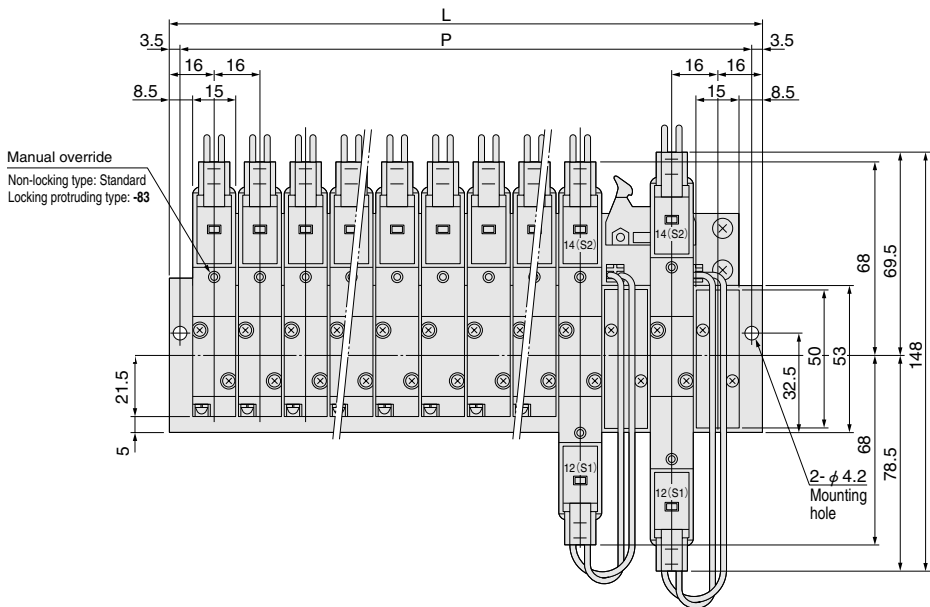
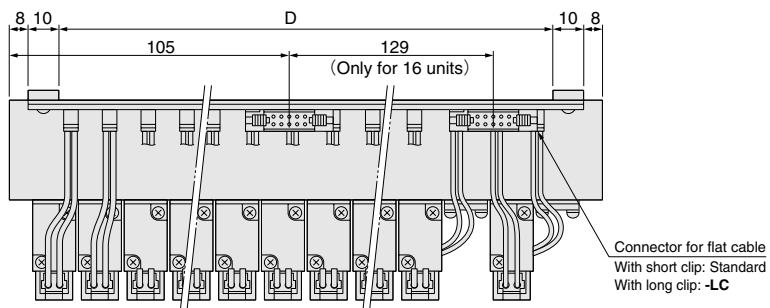
110M8AP  
110M16AP

## Unit dimensions

| Model    | L   | P   | D   |
|----------|-----|-----|-----|
| 110M8AP  | 144 | 137 | 108 |
| 110M16AP | 272 | 265 | 236 |

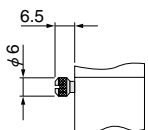
## Option dimensions

| Model      | A    |
|------------|------|
| Short clip | 12.5 |
| Long clip  | 15.5 |



## Option

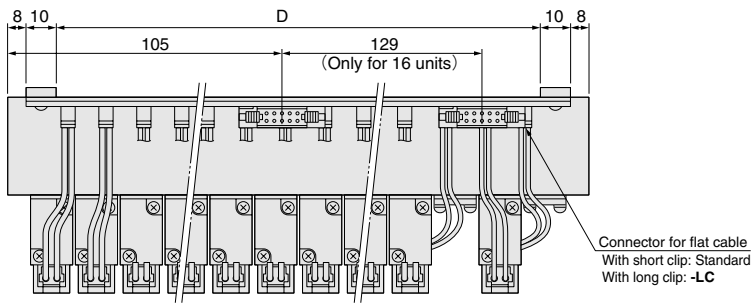
- Locking protruding type manual override: -83



## Dimensions (mm)

110M8AJP

110M16AJP

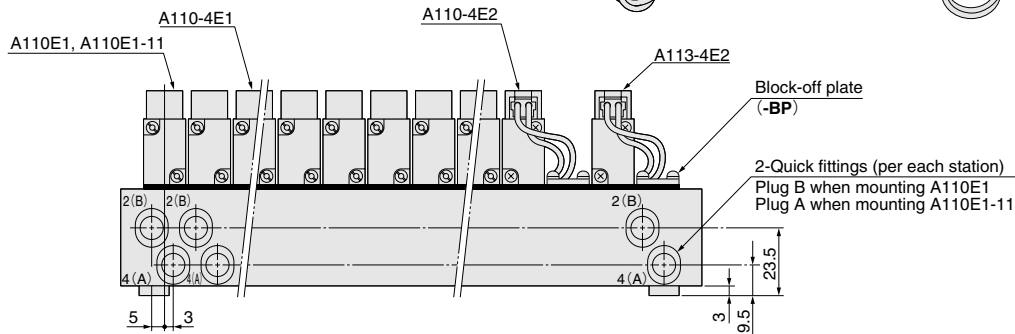
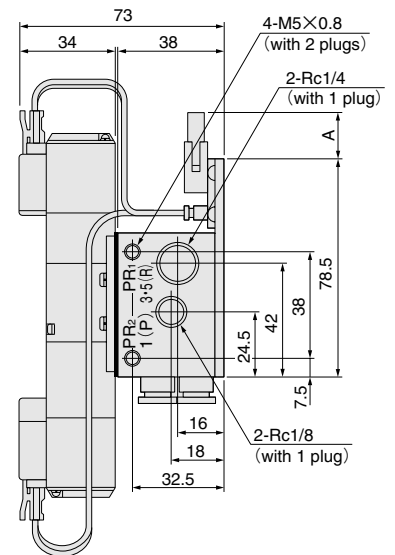
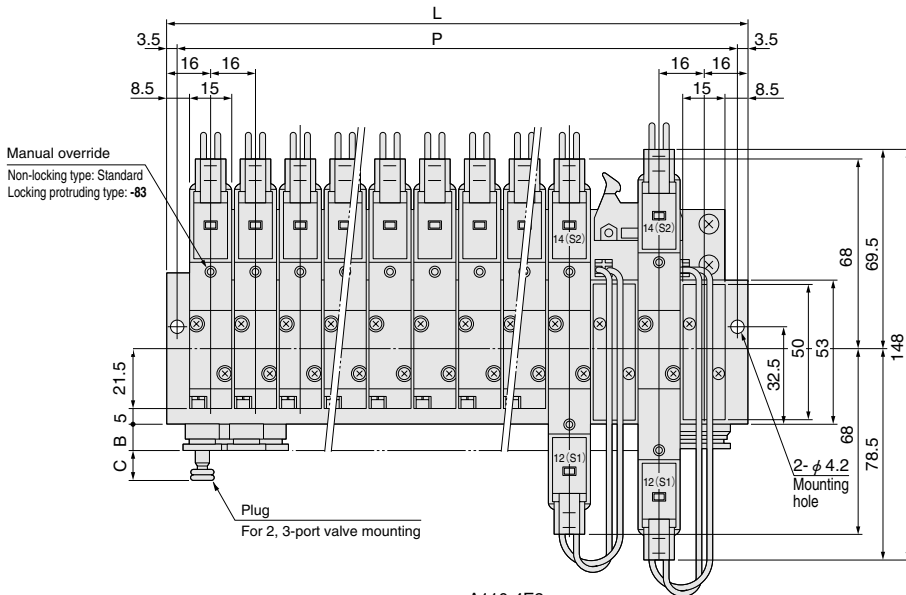


## Unit dimensions

| Model     | L   | P   | D   |
|-----------|-----|-----|-----|
| 110M8AJP  | 144 | 137 | 108 |
| 110M16AJP | 272 | 265 | 236 |

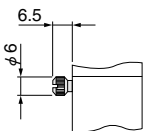
## Option dimensions

| Model                           | A    | B   | C    |
|---------------------------------|------|-----|------|
| Short clip                      | 12.5 | —   | —    |
| Long clip                       | 15.5 | —   | —    |
| Quick fitting for $\phi$ 4 tube | —    | 6.8 | 16.7 |
| Quick fitting for $\phi$ 6 tube | —    | 7.5 | 21.1 |



## Option

- Locking protruding type manual override: -83



# Handling Instructions and Precautions (PC Board Manifold)

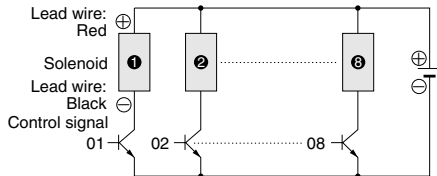


Solenoid

## Circuit configurations

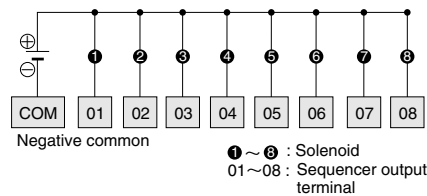
### ● For positive common type (standard)

Operation example



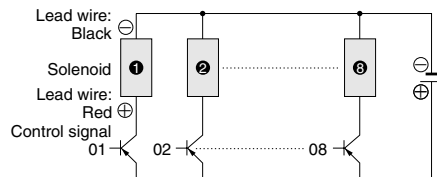
Correspondence to sequencer

Output module is negative common type.



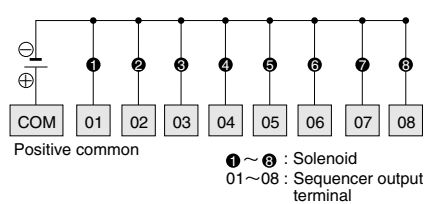
### ● For negative common type (optional: -CM)

Operation example



Correspondence to sequencer

Output module is positive common type.

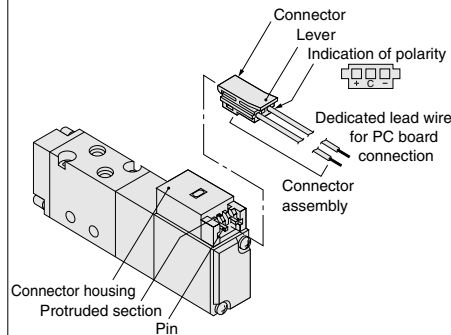


Plug connector

## Attaching and removing plug connector

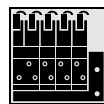
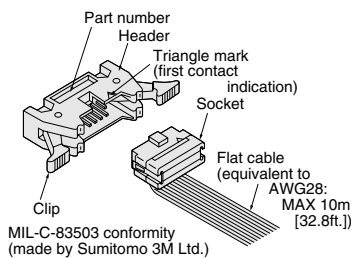
Use fingers to insert the connector into the pin, push it in until the lever claw latches onto the protruded section of the connector housing, and complete the connection.

To remove the connector, squeeze the lever along with the connector, lift the lever claw up from the protruded section of the connector housing, and pull it out.



- Cautions:**
1. Do not pull hard on the lead wire. It could result in defective contacts, breaking wires, etc.
  2. If the pin is bent, use a small screwdriver, etc. to gently straighten out the pin, and then complete the connection to the plug connector.

## Connector for flat cable



Manifold

## Print circuit board

Avoid using in the locations listed below, as it may result in deterioration of the print circuit board or a short circuit in the wiring. If use in such conditions is unavoidable, always provide a cover or other adequate protective measures.

1. Locations subject to high levels of dust or oil mists
2. Locations subject to salt, corrosive gases, or conductive particles
3. Locations directly subject to condensation, direct sunlight, or other weather effects

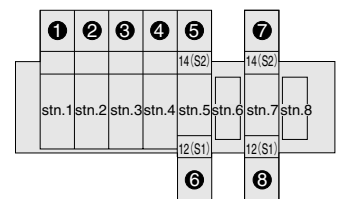
## Combination mounting for different type of valves

In the 110 series manifold for combination mounting of 2-, 3-, 5-port, and the PC board manifold for combination mounting of 2-, 3-, 5-port, single solenoids can be mounted together with double solenoids, or with twin solenoids, and a total number of up to 8 or 16 solenoids can be mounted.

In this case, observe the following precautions:

1. Always use a block-off plate (-BP) to close the next right station (the side with the higher numbered station) of the double solenoid valve mounting station.
2. When using block-off plates (-BP) for some reason other than item 1, place them together on the higher numbered stations side.
3. Connector pin numbers are allocated to stations in order from the left end of the manifold. For a double solenoid mounting, the upper pins are allocated to 14(S2) and the lower ones to 12(S1), with the upper 14(S2) numbers being the smaller pin numbers. And for a twin solenoid mounting, the left side is allocated to 14(S2) and the right side allocated to 12(S1), with the left side 14(S2) numbers being the smaller pin numbers.

Example of 4 single solenoid valves and 2 double solenoid valves installation on an 8 unit manifold:

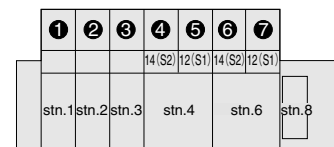


Connector pin location of 8 units:



Remark: The standard is positive common wiring. Negative common wiring is optional (-CM).

Example of 3 single solenoid valves and 2 double solenoid valves installation on an 8 unit manifold:



Connector pin location of 8 units:



Remark: The standard is positive common wiring. Negative common wiring is optional (-CM).

