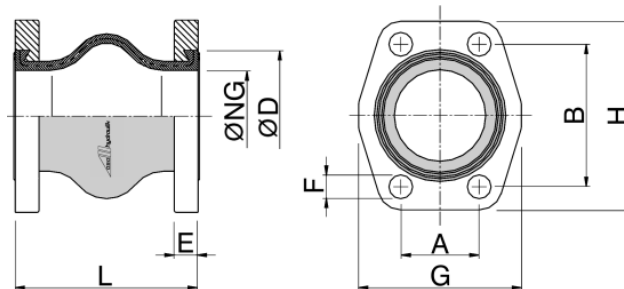
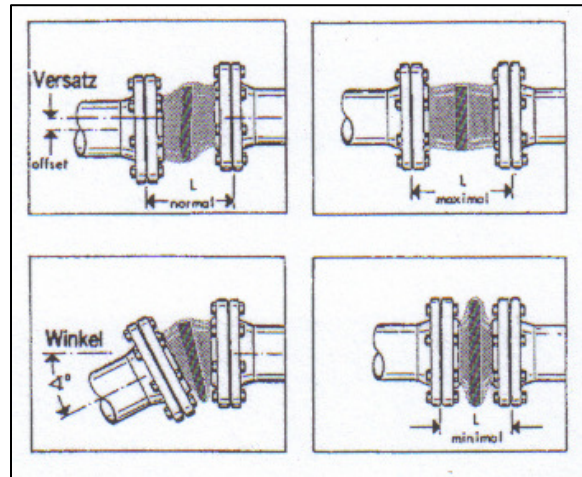


KOMPENSATOREN NW 25-125

Compensators size 1"-5"

Bewegungsaufnahme			
Movement Consumption			
Versatz	Zug/druck	Winkel	
Center	Tension /	∠	
displacement	pressure	angle	
(mm)	(+/- mm)		
25	5	5	7.5
32	5	5	7.5
40	10	10	10
50	10	10	10
63	10	10	10
80	10	10	10
100	10	10	10
125	13	10	10



technical Data / dimension

order number	description	size	A	B	C	D	E	F	G	H	K	L	weight	
		SAE NG	[mm]	[mm]	[mm]	[mm]	[mm]	[mm]	[mm]	[mm]	[mm]	[mm]	[kg]	
SDKSS025	K 16 S - 25	1"	25	26,2	52,4	-	43	11	11	59	70	-	65	0,4
SDKSS032	K 16 S - 32	1¼"	32	30,2	58,7	-	50	11	13	73	81	-	65	0,5
SDKSS040	K 16 S - 40	1½"	40	35,7	70	-	62	13	13	83	95	-	100	0,8
SDKSS050	K 16 S - 50	2"	50	42,9	77,8	-	72	13	13	97	103	-	100	1,0
SDKSS063	K 16 S - 63	2½"	63	50,8	89	-	87	14	13	109	115	-	100	1,2
SDKSS080	K 16 S - 80	3"	80	62	106,4	-	104	14	17	131	136	-	100	1,8
SDKSS090	K 16 S - 90	3½"	80	70	120,6	-	104	14	17	140	152	-	100	1,9
SDKSS100	K 16 S - 100	4"	100	77,8	130,2	-	130	16	17	152	162	-	100	2,5
SDKSS126	K 16 S - 125	5"	125	92	152,4	-	155	16	17	165	184	-	130	3,0

max. work. Pressure	0,2 ÷ 1,5 bar	
material	inside	NBR
	outside	CR
	flange	steel

The information contained on this page is intended to be used as a guideline only. Customers should always confirm the suitability of the information and these products in their particular applications. ASA assumes no liability for any errors, commissions or misprints and reserves the right to change products and details without prior notification. As we are constantly improving our products, the characteristics, dimensions and weights can also change, although we do our best to incorporate these changes continually.