

Directional Control Valves

CE 06

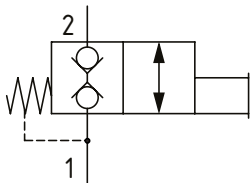
Manual Push Valve, 2-Way, Normally Closed, Poppet Type, Double Blocking

315 bar [4500 psi] • 19 l/min [5 US gpm]

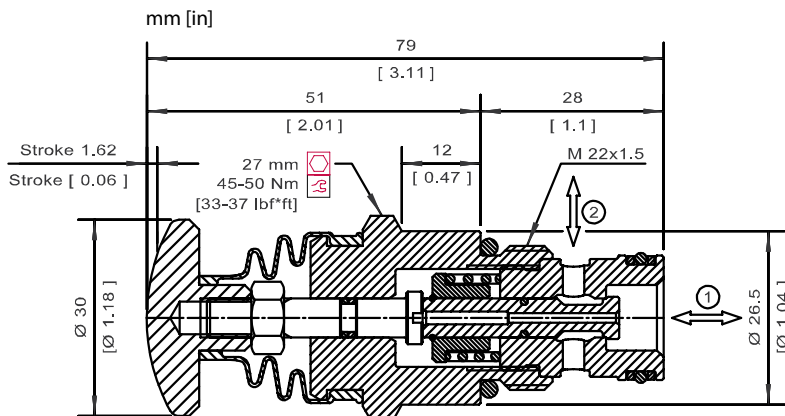
DESCRIPTION AND OPERATION

This is a 2-way, poppet type, 2 position push to open bi-directional control valve. In the normal position, flow is blocked in both directions. Pushing down on the hand knob will open the valve and allow flow from port 1 to 2 and from 2 to 1. Pressure in port 1 will increase the force required to keep open the valve. For lowering applications where one port goes to tank, it is preferred that port 2 is connected to the actuator and port 1 to tank.

SCHEMATIC



DIMENSIONS

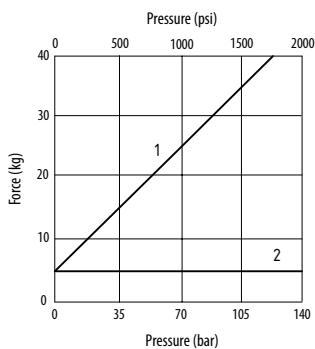


PERFORMANCE DATA

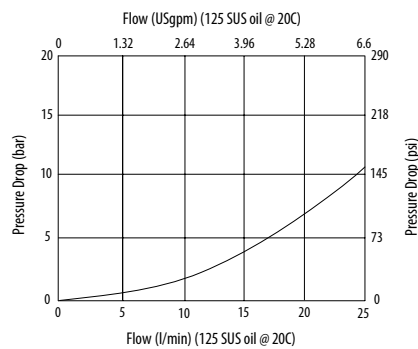
Rated pressure	315 bar [4600 psi]
Rated flow @ 7 bar [100 psi]	19 l/min [5 US gpm]
Weight	0.20 kg [0.44 lb]
Cavity	NCS06/2

PERFORMANCE CURVES

Manual Force to Activate



Pressure drop



MODEL CODE

CE06 - 00 - V

Housing

Code	Ports & Material	Housing Model Code
00	No housing	
DG3/8	AL, 3/8" BSP	NCS06/2-DG-3/8
DG1/2	AL, 1/2" BSP	NCS06/2-DG-1/2
DG6S	AL, #6 SAE	NCS06/2-DG-6S
DG8S	AL, #8 SAE	NCS06/2-DG-8S

* Aluminum bodies are to be used for pressures less than 210 bar [3000 psi].
* Additional housings available

Seal Option

Code	Seal Kit
Omit-Buna-N	23000060
V-Viton	230000380