

MAIN FEATURES

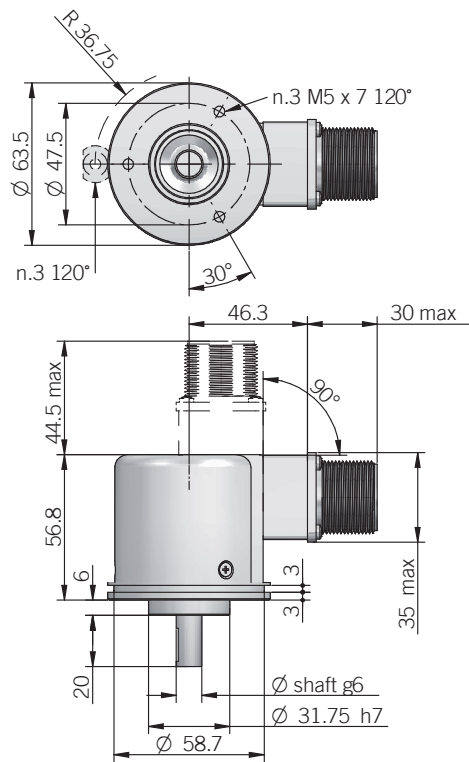
Standard \varnothing 63 mm encoder series for industrial applications with high mechanical resistance requirements. These encoders are designed to support high radial and axial shaft load and they can be mounted by means of flanges or fixing clamps.

- 3 channel encoder (A / B / Z) up to 24000 ppr
- Power supply up to +28 V DC with several electrical interfaces available
- Up to 500 kHz output frequency
- Cable or connector output
- Available with metal cover for heavy duty applications
- Solid shaft diameter up to 10 mm
- Mounting by synchronous or centering 2,5" square flange



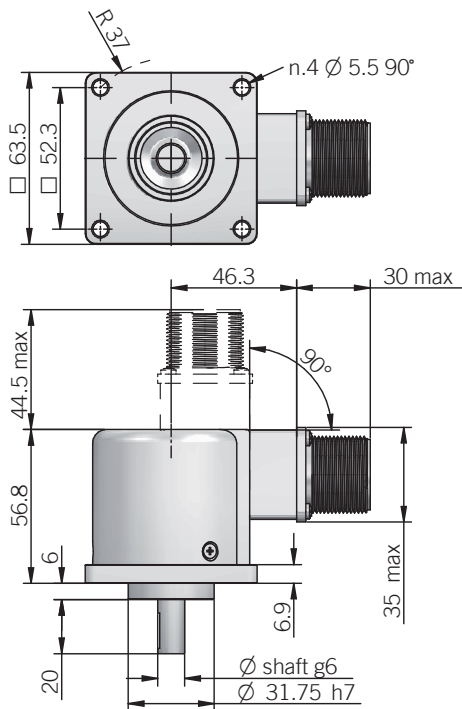
ORDERING CODE	ER	63A	M*	500	S	5/28	P	8	X	6	M	R	.162	+XXX
SERIES incremental encoder series EL incremental encoder series ER														
MODEL synchronous flange \varnothing 31,75 mm 63A centering square flange \varnothing 31,75 mm 63D centering square flange \varnothing 50 mm 63E														
METAL COVER * add for metal cover M														
RESOLUTION ppr from 1 to 24000 refer to the available pulses list														
ZERO PULSE without zero pulse S with zero pulse Z														
POWER SUPPLY (with L electrical interface) 5 V DC 5 5 ... 28 V DC 5/28														
ELECTRICAL INTERFACE NPN open collector C push-pull P line driver L power supply 5/28V - output RS-422 RS														
SHAFT DIAMETER mm 8 (3/8") mm 9,52 mm 10														
ENCLOSURE RATING IP 54 X IP 66 S														
MAX ROTATION SPEED (IP 66) 3000 rpm 3 (IP 54) 6000 rpm 6														
OUTPUT TYPE cable (standard length 1,5 m) P preferred cable lengths 2 / 3 / 5 / 10 m, to be added after DIRECTION TYPE (eg. PR5) MIL male connector M JIS-C-5432 male connector J M12 male connector M12 M23 male connector H M16 male connector C														
DIRECTION TYPE axial A radial R														
MATING CONNECTOR mating connector not included .162 to be reported only with connector output (eg. MR.162), for mating connector see Accessories														
VARIANT custom version +XXX														

63 A

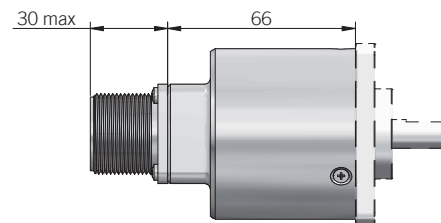


fixing clamps not included, please refer to Accessories

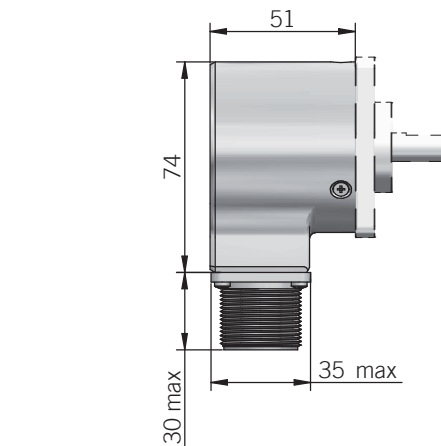
63 D



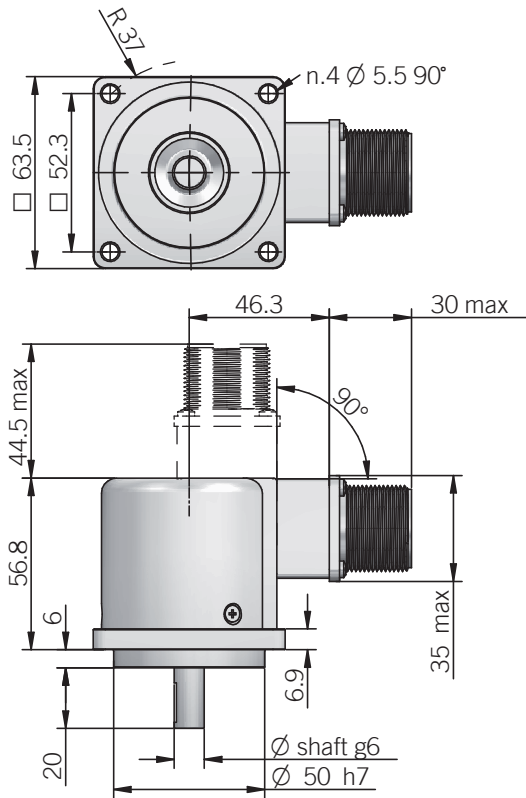
Dimension with metal cover and axial output



Dimension with metal cover and radial output



63 E



recommended mating shaft tolerance H7
dimensions in mm

ELECTRICAL SPECIFICATIONS

Resolution	from 1 to 24000 ppr
Power supply¹	5 = 4,5 ... 5,5 V DC 5/28 = 4,5 ... 30 V DC (reverse polarity protection)
Power draw without load	800 mW max
Max load current	C / P = 50 mA / channel L / RS = 20 mA / channel
Electrical interface²	NPN open collector (AEIC-7273, pull-up max +30 V DC) push-pull / line driver HTL (AEIC-7272) line driver RS-422 (AELT-5000 or similar)
Max output frequency	250 kHz up to 6000 ppr 500 kHz from 7200 ppr
Counting direction	A leads B clockwise (shaft view)
Electromagnetic compatibility	according to 2014/30/EU directive
RoHS	according to 2011/65/EU directive
UL / CSA	certificate n. E212495

EL SERIES RESOLUTIONS

1 - 2 - 4 - 5 - 10 - 15 - 16 - 20 - 25 - 30 - 32 - 40 - 50 - 60 - 70 - 80 - 90 - 160 - 180 - 350 - 450 - 660 - 700 - 750 - 1500

ER SERIES RESOLUTIONS

100 - 120 - 128 - 150 - 200 - 240 - 250 - 256 - 300 - 360 - 400 - 480 - 500 - 512 - 600 - 625 - 720 - 800 - 900 - 1000 - 1024 - 1200 - 1250 - 1440 - 1600 - 1800 - 2000 - 2048 - 2500 - 3000 - 3600 - 4000 - 4096 - 5000 - 6000 - 7200 - 8000 - 8192 - 9000 - 10000 - 10240 - 12000 - 14400 - 16000 - 16384 - 18000 - 20000 - 20480 - 24000

please directly contact our offices for other pulses, preferred resolutions in bold

MECHANICAL SPECIFICATIONS

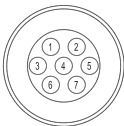
Shaft diameter	∅ 8 / 9,52 (3/8") / 10 mm
Enclosure rating	X = IP 54 (IEC 60529) S = IP 66 (IEC 60529)
Max rotation speed	IP 54 - 6000 rpm IP 66 - EL 3000 rpm / 60° C ER 3000 rpm / 70° C - 2000 rpm / 85° C
Max shaft load³	200 N axial / radial
Shock	50 G, 11 ms (IEC 60068-2-27)
Vibration	10 G, 10 ... 2000 Hz (IEC 60068-2-6)
Moment of inertia	1,5 x 10 ⁻⁶ kgm ² (36 x 10 ⁻⁶ lbfm ²)
Starting torque (at +20°C / +68°F)	< 0,02 Nm (2,83 Ozin) IP 54 < 0,06 Nm (8,50 Ozin) IP 66
Bearing stage material	EN-AW 2011 aluminum
Shaft material	1.4305 / AISI 303 stainless steel
Housing material	PA66 glass fiber reinforced / painted aluminum
Bearings	n.2 ball bearings
Bearings life	10 ⁹ revolutions
Operating temperature^{4,5}	-10° ... +60°C (+14° ... +140°F) EL series -25° ... +85°C (-13° ... +185°F) ER series
Storage temperature⁵	-25° ... +70°C (-13° ... +158°F)
Weight	350 g (12,35 oz) 450 g (15,87 oz) with metal cover

¹ as measured at the transducer without cable influences
² for further details refer to OUTPUT LEVELS on TECHNICAL BASICS section
³ maximum load for static usage
⁴ measured on the transducer flange
⁵ condensation not allowed

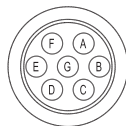
CONNECTIONS

Function	Cable C / P	Cable L / RS	7 pin J C / P	7 pin J L / RS no Zero	7 pin M C / P	7 pin M L / RS no Zero	10 pin J L / RS with Zero	10 pin M L / RS with Zero	5 pin M12 C / P	8 pin M12 L / RS	12 pin H	5 pin C C / P	8 pin C L / RS
+V DC	red	red	6	4	F	D	4 - 5	D - E	2	7	12	5	7
0 V	black	black	1	6	A	F	6	F	4	1	10	1	8
A+	green	green	3	1	C	A	1	A	3	6	5	2	1
A-	/	brown or grey	/	3	/	C	7	G	/	5	6	/	2
B+	yellow	yellow	5	2	E	B	2	B	1	4	8	4	3
B-	/	orange	/	5	/	E	8	H	/	3	1	/	4
Z+	blue	blue	4	/	D	/	3	C	5	2	3	3	5
Z-	/	white	/	/	/	/	9	I	/	8	4	/	6
≡	shield	shield	7	7	G	G	10	J	housing	housing	9	/	/

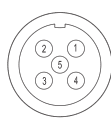
J connector (7 pin)
JIS-C-5432 Size 16
solder side view FV



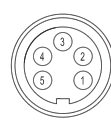
M connector (7 pin)
Amphenol MS3102-E-16-S
solder side view FV



M12 connector (5 pin)
M12 A coded
solder side view FV



C connector (5 pin)
circular M16
solder side view FV



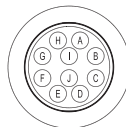
H connector (12 pin) - M23 CCW
Hummel 7.410.000000 -
7.002.912.603
solder side view FV



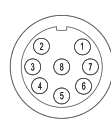
J connector (10 pin)
JIS-C-5432 Size 16
solder side view FV



M connector (10 pin)
Amphenol MS3102-E-18-1
solder side view FV



M12 connector (8 pin)
M12 A coded
solder side view FV



C connector (8 pin)
M16 IEC 60130-9
solder side view FV

