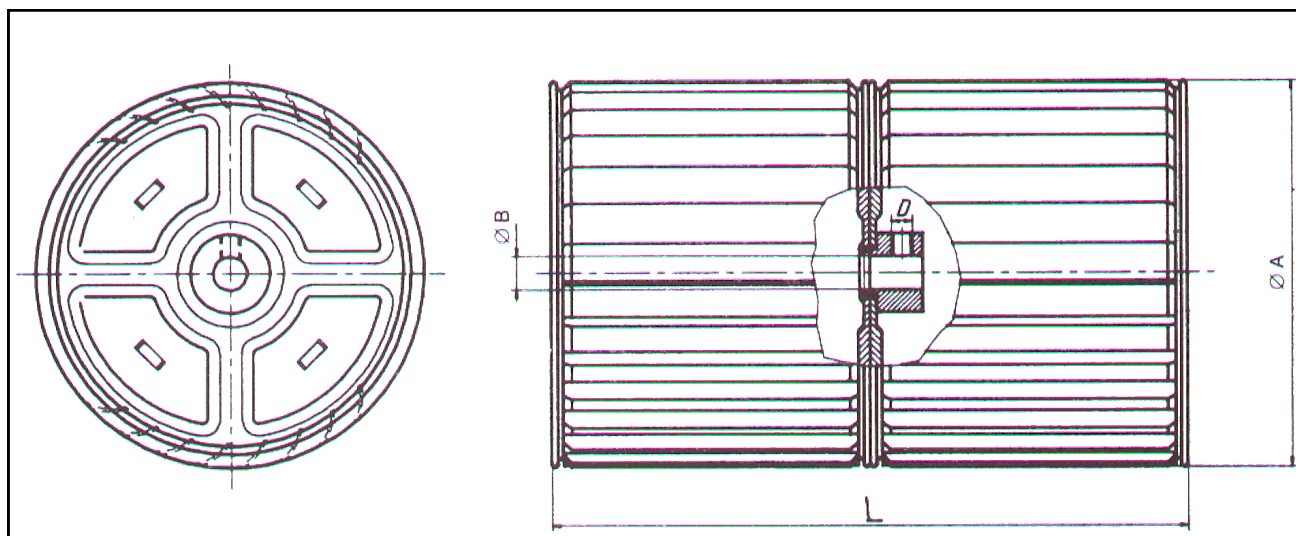
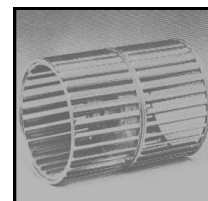


SERIE CFD

VENTOLE CENTRIFUGHE A DOPPIA ASPIRAZIONE

CENTRIFUGAL BLOWERS WHEELS DOUBLE INLET



Modello Codice	Ø (mm)	L (mm)	ØB (mm)	ØD	Spess. AL (mm)	N. Alette
120 - 176 4102.0501	120	176	12.7	1/4"	0.65	27
133 - 148 4013054	133	148	12.7	1/4"	0.65	30
133 - 176 4013055	133	176	12.7	1/4"	0.65	30
133 - 196 4013056	133	196	12.7	1/4"	0.65	30
146 - 148 4013059	146	148	12.7	1/4"	0.65	33
146 - 176 4013060	146	176	12.7	1/4"	0.65	33
146 - 196 4013061	146	196	12.7	1/4"	0.65	33
146 - 216 4013093	146	216	12.7	1/4"	0.65	33
146 - 240 4102.5913	146	240	12.7	1/4"	0.65	33
146 - 300 4102.5918	146	300	12.7	1/4"	0.65	33
160 - 176 4013065	160	176	12.7	1/4"	0.65	36
160 - 196 4102.6102	160	196	12.7	1/4"	0.65	36
160 - 240 4013070	160	240	12.7	1/4"	0.65	36
160 - 300 4102.6101	160	300	12.7	1/4"	065	36
180 - 240 4102.6301	180	240	12.7	1/4"	0.65	38
200 - 176 4102.6501	200	176	12.7	1/4"	0.65	41
200 - 196 4102.6504	200	196	12.7	1/4"	0.65	41
200 - 216 4102.6506	200	216	12.7	1/4"	0.65	41
200 - 240 4102.6502	200	240	12.7	1/4"	0.65	41