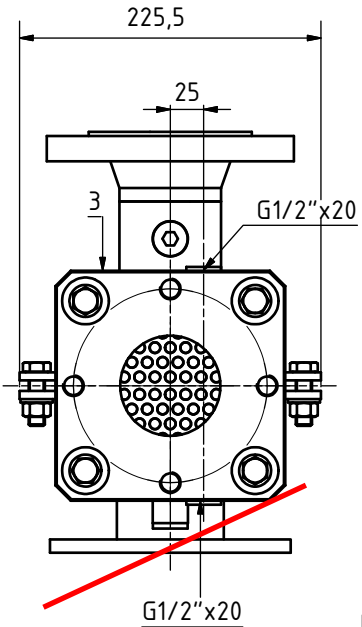


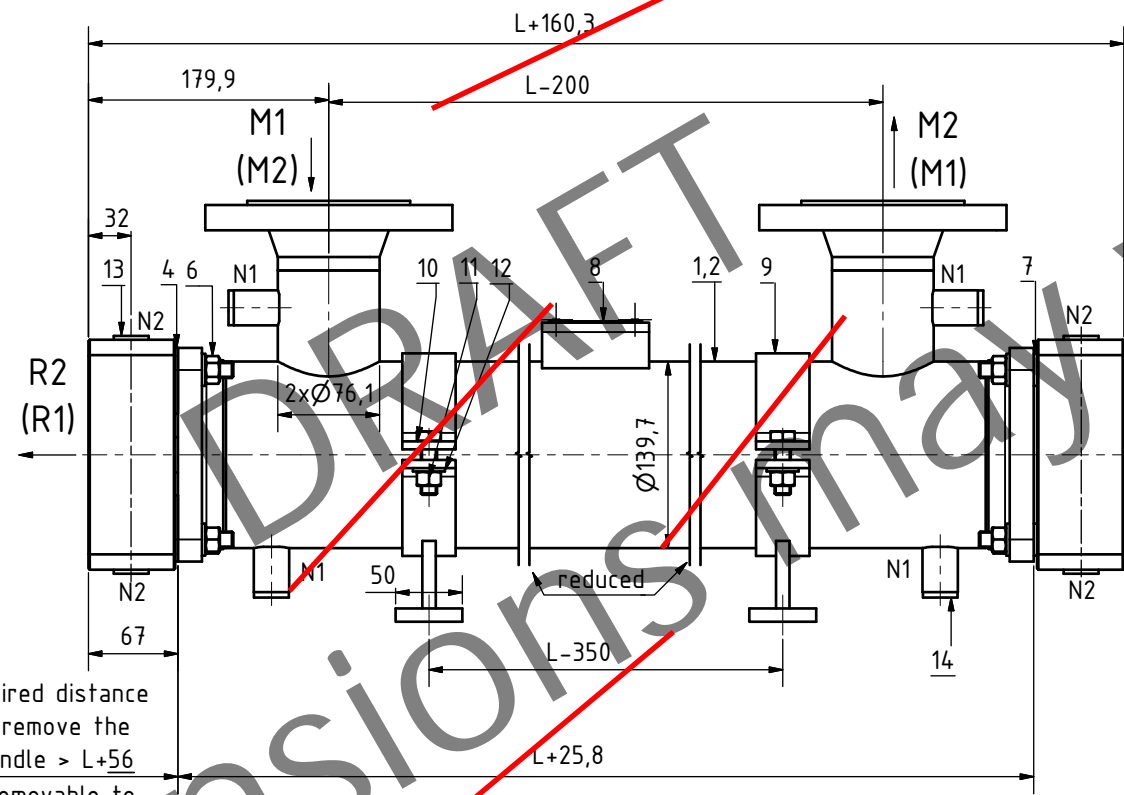
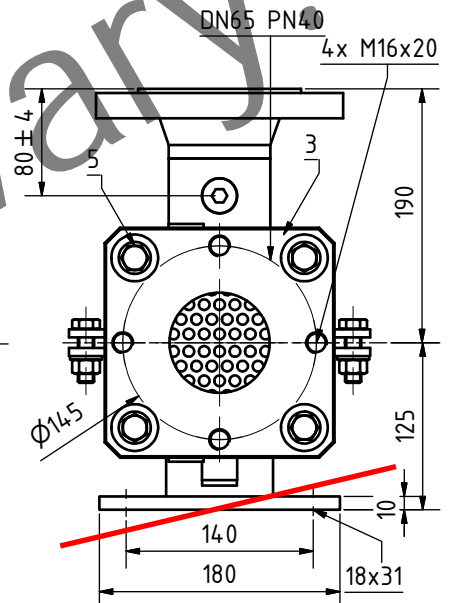
Customer	Impexron GmbH	Date	18.02.2025
Reference	1558741	Offer No.	B25-62393
Type	K 12 - F E N - 1 1 1 C L1100	Pressure range	X
Medium		<u>Shellside</u> ISO VG 46	<u>General</u>  <u> Tubeside</u> Water
Heat capacity	kW	83,4	
Inlet temperature	°C	50,3	15
Outlet temperature	°C	40	18,3
Volume flow	l/min	288	360
Pressure drop	bar	0,18	0,14
Active surface	m <sup>2</sup>	14,33	1,74
Max. temperature	°C	130	100
Max. pressure	bar	16	10
Fouling	m <sup>2</sup> K/kW	0	
Extra capacity	%	23,2	
Shell diameter	mm	139,7	
No. of baffles	-	1	
No. of tubes	-	72	
Tube diameter	mm	8,0 x 0,5	
Bundle length	mm	1100	
Paths tubeside	-	1	
Weight(e)	kg	Approx.	63
Contents	dm <sup>3</sup>	8,8	4,5
		<u>Material</u>	
Tubes	-	1.4404	
Tubesheets	-	1.4404	
Fins	-	Aluminium	
Baffles	-	Aluminium	
O-rings	-	NBR	
Bonnets/cover	-	1.4404, coated	
Shell	-	1.4404	
Connections	-	DN50	DN65
Remarks	Tubes coated with Zacosin 2000Q (waterside) - tubesheet coated with K100		

6	Shell	Clamp bracket	Bonnet/Cover	Paint structure	Type	Thickness	Colour
Material	Steel (3.1)	Steel	1.4301 AU-W2 (3.1)	Primer	Super thane 2K HS epoxy primer	40..60µm	RAL 1014

View right

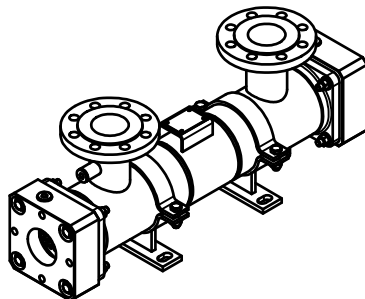


View left



Required distance to remove the bundle > L+56 (removable to both sides)

	Shellside	Tubeside
Design pressure, PS [bar]	-1/16	-1/16
Test pressure pneumatic, PT [bar]	24	24
Design temperature, TS [°C]	-10/100	-10/100
Content [dm <sup>3</sup> ] (L [m], LT [mm])	Lx(10-2,74/LT)	2,85xL+1
Joint-flange (1=IN/2=OUT)	DN50	/R2=DN65 PN40
Vent/Drain		N2=4x G1/2"



THIS DRAWINGS AND ALL THE DATA CONTAINED HEREIN IS THE EXCLUSIVE PROPERTY OF HS-COOLER GMBH AND MAY NOT BE DISCLOSED TO OTHERS WITHOUT WRITTEN CONSENT.				SURFACE QUALITY DIN ISO 1302		GENERAL TOLERANCE ISO 2768-v ISO 13920-CF		Scale 1:4		WEIGHT: * kg	
				Date 04.04.2019		Name Zhukovets		Material -		Format: A3	
				Draw 04.04.2019		Garbe		Heat exchanger K12-F###-#11(3)(T) L400 to L3600			
				Check 27.11.2018		Garbe					
				CLEARANCE 27.11.2018		Garbe		K12-2954		1	
A Shell side: 4xG1/2"				04.04.2019		YZ		Autodesk Inventor 2010		File: K12-2954.idw	
Sym	REV.RECORD	Date	Name							1 Sh.	

