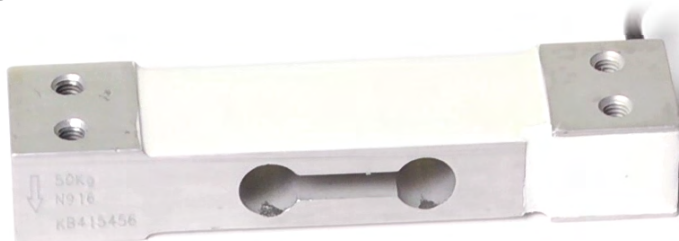




Capacity from 3 kg to 50 kg



- ALUMINUM ALLOY
- COMBINED ERROR $\leq \pm 0.02\%$ (0.017% C4; 0.014% C5)
- PROTECTION CLASS IP65

| CAPACITY | kg | ACCURACY CLASS | | | IECEx | Ex | EAC | PLATFORM DIMENSION (mm) | NET WEIGHT OF LOAD CELL (kg) | CODE |
|----------|----|----------------|----|----|-------|----|-----------|-------------------------|------------------------------|------|
| | | C3 | C4 | C5 | | | | | | |
| 3 | | • | • | • | • | • | 250 x 350 | 0.2 | ALL3 | |
| 5 | | • | • | • | • | • | 250 x 350 | 0.2 | ALL5 | |
| 10 | | • | • | • | • | • | 250 x 350 | 0.2 | ALL10 | |
| 15 | | • | • | • | • | • | 250 x 350 | 0.2 | ALL15 | |
| 20 | | • | • | • | • | • | 250 x 350 | 0.2 | ALL20 | |
| 30 | | • | • | • | • | • | 250 x 350 | 0.2 | ALL30 | |
| 50 | | • | • | • | • | • | 250 x 350 | 0.2 | ALL50 | |

ON REQUEST

CERTIFICATIONS



OIML R60 C3

CERTIFICATIONS ON REQUEST



ATEX II 1GD (zone 0-1-2-20-21-22)



IECEx (zone 0-1-2-20-21-22)



OIML R60 C4/C5



Complies with the Eurasian Custom Union regulations (Russia, Belarus, Kazakhstan)

COMPLEMENTARY ACCESSORIES



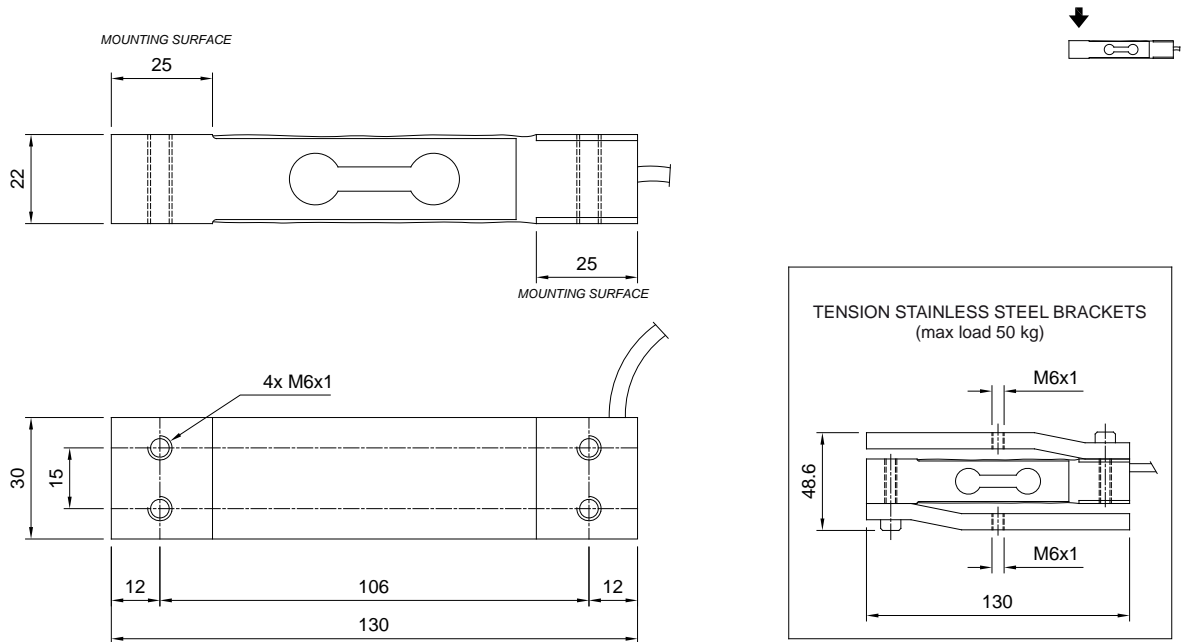
DESCRIPTION

Pair of stainless steel tension brackets.
Maximum static load: 50 kg

CODE

STAFFEALL

DIMENSIONS (mm)



TECHNICAL FEATURES

| Material | Aluminum alloy | | |
|--|-----------------------------------|-------------------------------------|---------------|
| OIML R60 Accuracy class • Verification intervals | C3 • 3000 | C4 • 4000 | C5 • 5000 |
| Nominal load (E max) | 3 - 5 - 10 - 15 - 20 - 30 - 50 kg | | |
| Minimum verification interval (V min) | E max / 10000 | E max / 15000 | E max / 20000 |
| Combined error | ≤ ±0.02% | ≤ ±0.017% | ≤ ±0.014% |
| Protection class | IP65 | | |
| Rated output | 2 mV/V ±10% | Input resistance | 409 Ω ±6 |
| Temperature effect on zero | 0.0017% °C | Output resistance | 350 Ω ±3 |
| Temperature effect on span | 0.0014% °C | Zero balance | ≤ ±2% |
| Compensated temperature range | -10 °C / +40 °C | Insulation resistance | ≥5000 MΩ |
| Operating temperature range | -35 °C / +65 °C | Safe overload (% of full scale) | 150% |
| Creep at nominal load in 30 minutes | 0.015% | Ultimate overload (% of full scale) | 300% |
| Max supply voltage without damage | 18 V | Deflection at nominal load | 0.5 mm |

ELECTRICAL CONNECTIONS

| | |
|----------------|--------------------------|
| Cable length | 3 m |
| Cable diameter | 3.8 mm |
| Cores | 4 x 0.20 mm ² |

