



XT.7

PNEUMATIC BRAKE



- ✓ New generation brake
- ✓ Long life span, 7 years
- ✓ Unmatched performance
- ✓ Very compact dimension
- ✓ Respect for the environment
- ✓ Easy installation
- ✓ Innovative technology
- ✓ Fully patented, design and technology

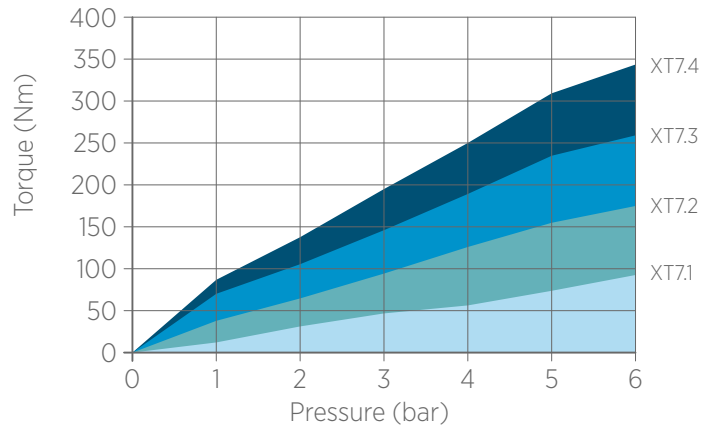
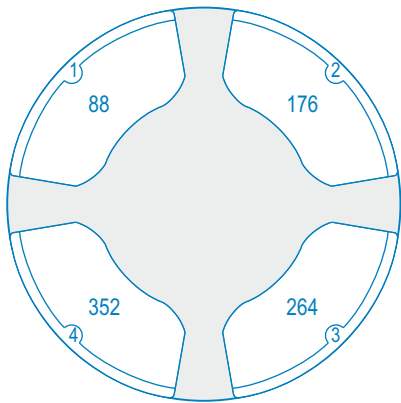
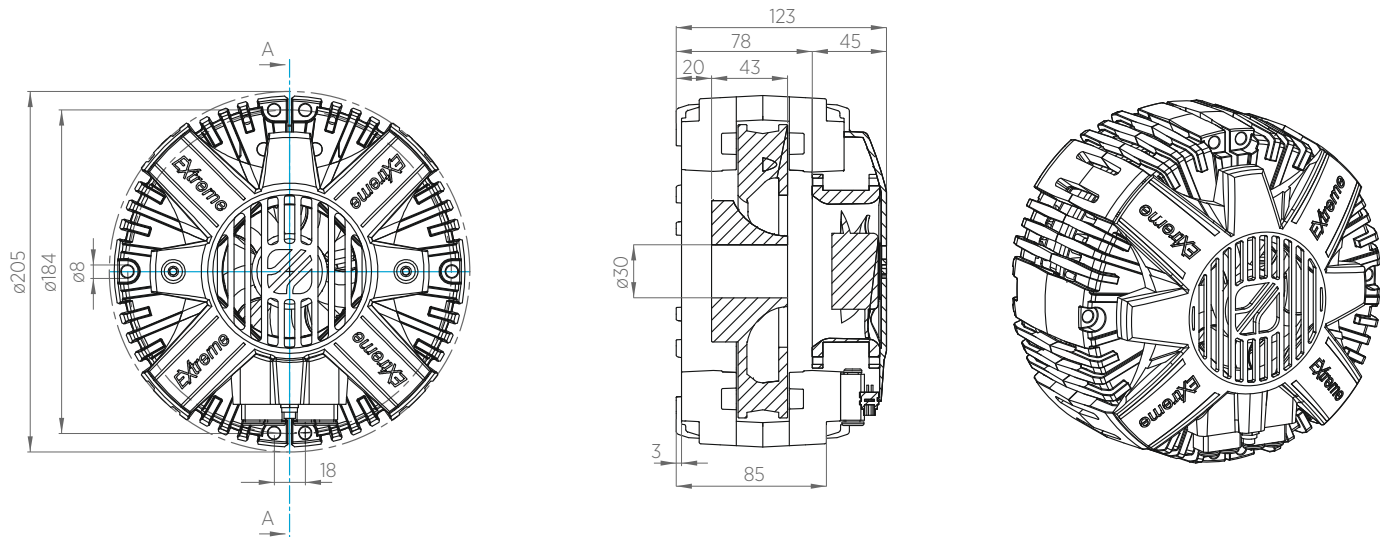
EXtreme, is the new and revolutionary mono disc pneumatic brake designed to reach unmatched performance, very compact size and respect for the environment to guarantee the customer's success.

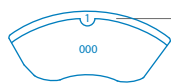
EXtreme is fully patented, all the details of the brakes have been studied to improve the efficiency: the housing and the disc have been designed to increase the cooling of the brake and to guarantee a compact size; the caliper and the pads have been designed to guarantee a very long life span, almost zero maintenance costs and respect for the environment and the operator's health.

EXtreme XT.7 is the smallest of the family: in 205mm of diameter and 123mm of thickness, it can reach 2,5 kW of heat dissipation and 352 Nm of torque.

For this features, it is usually used narrow web machines and all applications that require a precise and linear control of the web tension both at low and high torques

TECHNICAL DRAWING




 N. of calipers
 — Torque in Nm relating n. of calipers

TECHNICAL CHARACTERISTICS

Torque max 1 caliper	88 Nm*
Torque min 1 caliper	1,47 Nm*
Pressure min / max	0,1/6 bar
Max disc rpm	1500 rpm
Total weight	6,5 kg
Heat dissipation with 24V fan	2,5 kW

*Data are subject to technical change without notice

** Torque values relate to dynamic slipping



Re S.p.A.
via Firenze 3
20060 Bussero (MI) Italy

T +39 02 9524301
F +39 02 95038986
E info@re-spa.com

Assistenza tecnica
Technical support
T +39 02 952430.300
E support@re-spa.com

Assistenza commerciale
Sales support
T +39 02 952430.200
E sales@re-spa.com