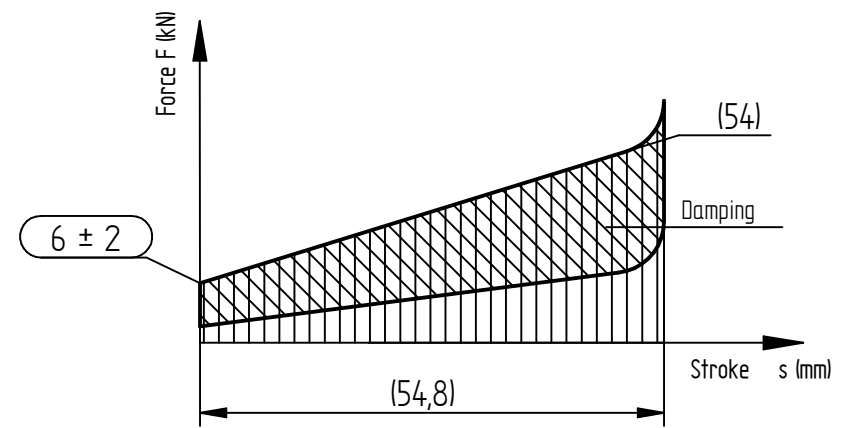
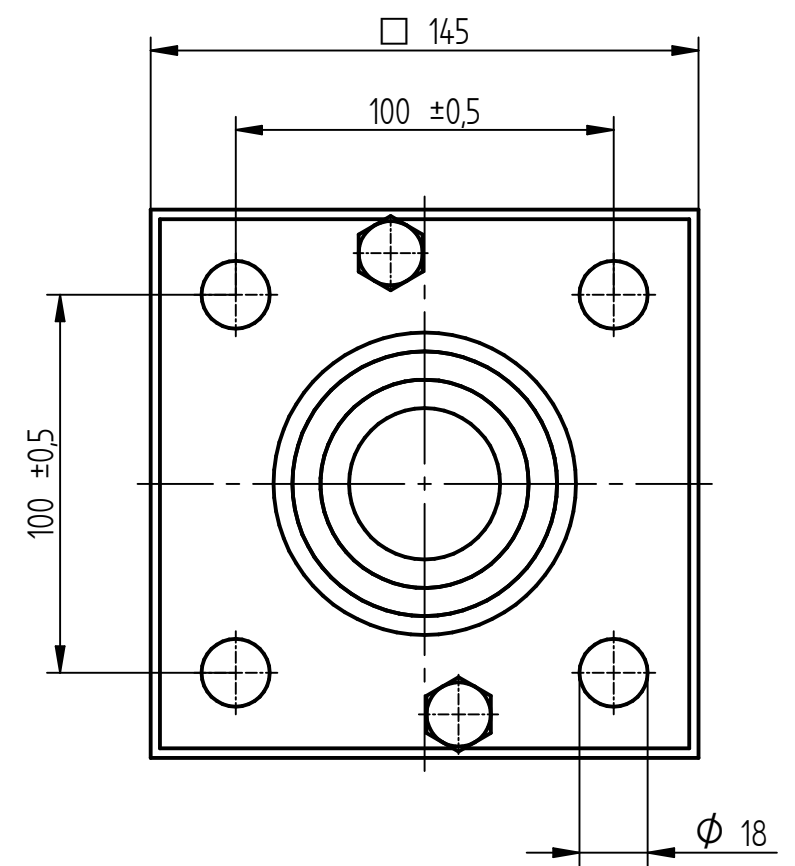
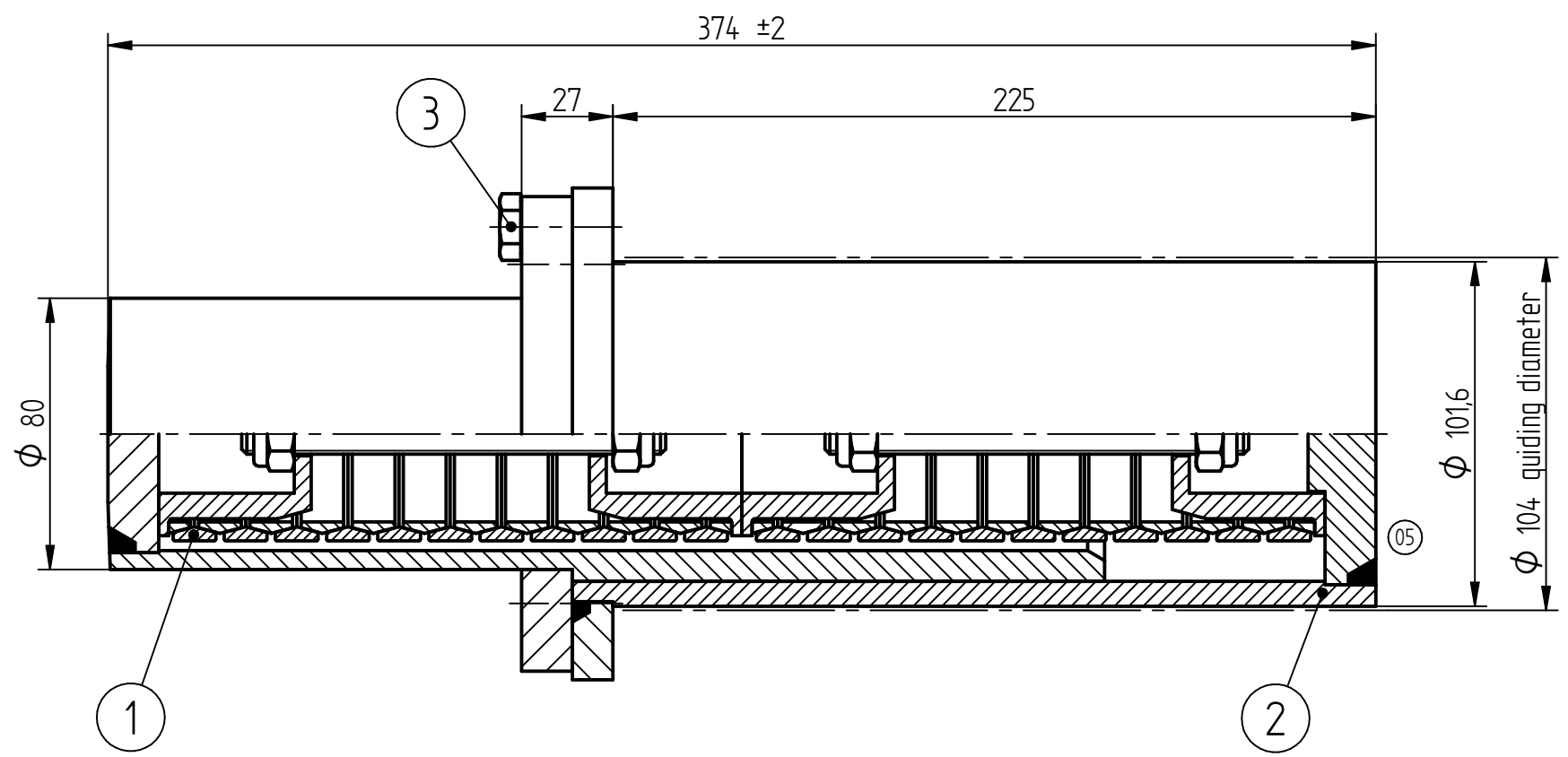


printing date: 01.12.2020
lars.jahnel

This drawing is the property of RINGFEDER PT and is protected in accordance with prevailing law. Changes must be made in CAD.



Spring diagram (not to scale)
Capacity $W_{NOM} = 1640$ Joule

This friction spring may only be lubricated with Ringfeder special grease F-S1

Testing according to TL E195.001.022 Paint for exterior surfaces: resin-metal color (RAL 3012).

Pos	Drawing number	Drawing name	Ident-number	Comment	Material	Qty
05	1	14.106300M004	RINGFEDER® Friction Spring	1991329		2
	2	191.100.069.001	Buffer Case, complete	14999776		1
	3	ISO 4017 M10x25 -	Hexagon head screw	16011663	Steel	2

<small>Die Informationen auf der Zeichnung sind vertraulich und geschützt, und jede mögliche Reproduktion, Verteilung oder Freigabe dieser Zeichnung oder Informationen oder irgendeine Herstellung der Produkte oder der Teile, die auf ihr bildlich dargestellt werden, werden ausdrücklich ohne schriftliche Zustimmung der Ringfeder Power Transmission verboten.</small> <small>This drawing and the information contained in it are confidential and proprietary, and any reproduction, distribution or disclosure of this drawing or information or any manufacturing of the products or parts depicted on it are expressly prohibited without written consent of Ringfeder Power Transmission.</small>	Released		 www.ringfeder.com	comment: ---						
	device: mm	general tolerances ISO 2768-m		material: ---	weight: 16,6 kg					
	date 22.07.2020	name Gebauer	Buffer Type 03/03							
	checked 22.07.2020	Jahnel								
	surface: DIN EN ISO 1302	scale: 1:2 (x:x)	series: 06300	size: ---						
05	LR160 / 2x	22.07.2020	LG/LJ	GER	A3	-	111.063000005	2990261	05	1 / 1
04	182 / 1x	15.06.2015	PM/LJ	origin of drawing	sheet size	nato code	drawing number	ident. number	rev.	sheet
rev.	modification	date	name	Root drw.	Error: No reference	replace for	---	replaced by	---	