



# SOUTHERN CALIFORNIA HYDRAULIC ENGINEERING CORPORATION

DESIGNERS AND MANUFACTURERS OF HYDRAULIC & PNEUMATIC EQUIPMENT

1130 COLUMBIA STREET BREA, CALIFORNIA 92821

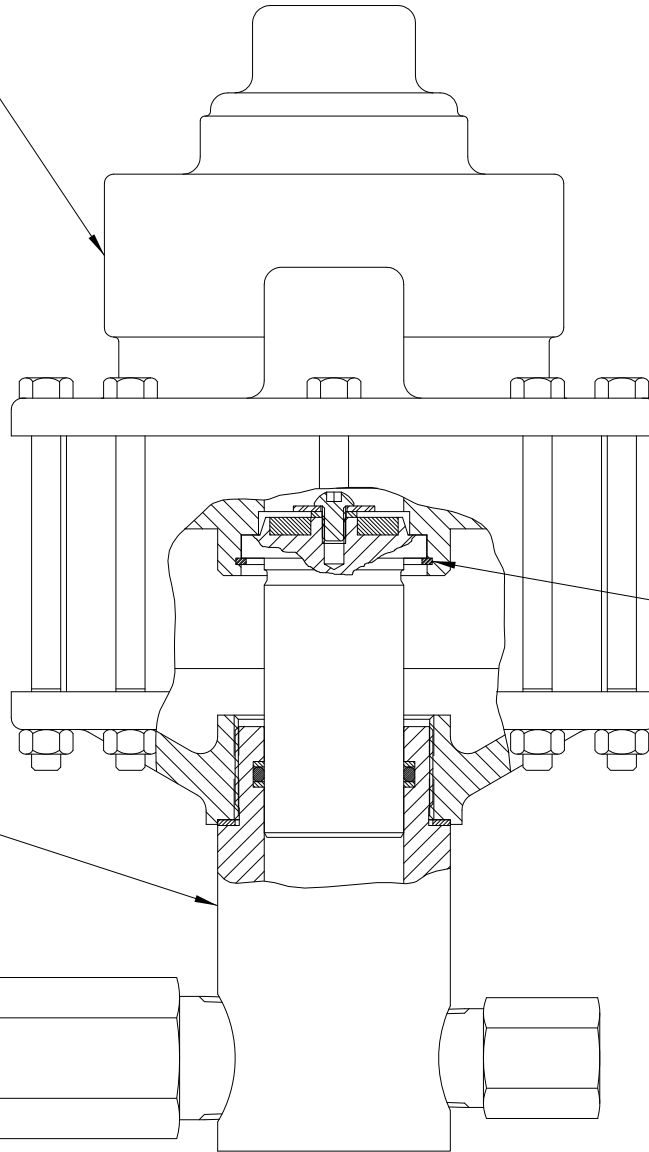
REV: A, 05/01/12

## NON-LUBE PUMP ASSEMBLY 10-5000W005 THRU W010

## LUBE PUMP ASSEMBLY 10-5000W005L THRU W010L

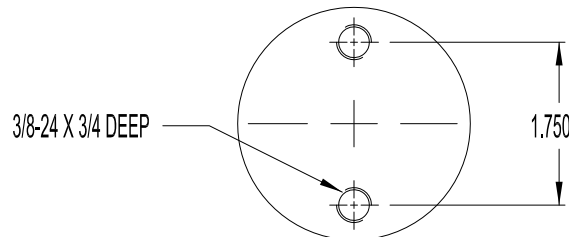
(NOTE: P/N 10-5000W005 THRU W010 WAS D5000B10 THRU B20)

AIR MOTOR ASSEMBLY  
11-5113ADL0 FOR NON - LUBE PUMP  
11-5113A000 FOR LUBE PUMP



RETAINING RING  
12-R200S000 (REF)

HYDRAULIC ASSEMBLY  
11-5026W005  
11-5026W007  
11-5026W010



MOUNTING DIMENSIONS



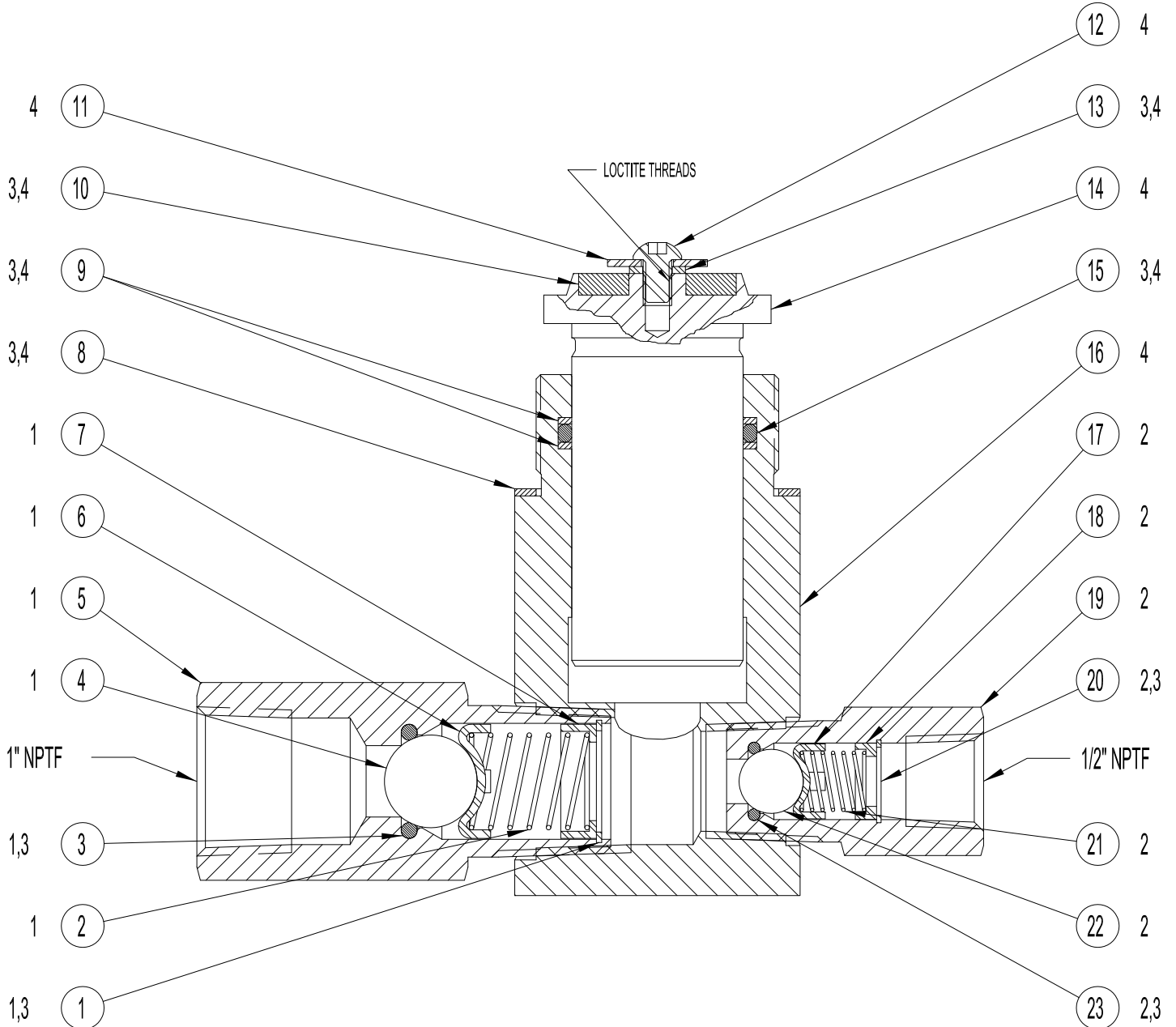
# SOUTHERN CALIFORNIA HYDRAULIC ENGINEERING CORPORATION

DESIGNERS AND MANUFACTURERS OF HYDRAULIC & PNEUMATIC EQUIPMENT

1130 COLUMBIA STREET BREA, CALIFORNIA 92821

REV:A, 05/01/12

## HYDRAULIC ASSEMBLY 11-5026W005 THRU W010



4. INCLUDED IN 11-5027WXXX\* PISTON & CYLINDER ASSEMBLY

\* REPRESENTS HYDRAULIC ASSEMBLY MODEL NUMBER

3. INCLUDED IN 11-5148NXXX\* HYDRAULIC REPAIR KIT

2. INCLUDED IN 11-5023S000 OUTLET CHECK VALVE ASSEMBLY

1. INCLUDED IN 11-5031S000 INLET CHECK VALVE ASSEMBLY



# SOUTHERN CALIFORNIA HYDRAULIC ENGINEERING CORPORATION

DESIGNERS AND MANUFACTURERS OF HYDRAULIC & PNEUMATIC EQUIPMENT

1130 COLUMBIA STREET BREA, CALIFORNIA 92821

**BILL OF MATERIALS:** 11-5026W005\_W010

**DRAWING NUMBER & DESCRIPTION:** 11-5026W005 THRU W010 HYDRAULIC ASSY.

**REVISION:**A, 5/01/12

ITEM	QTY	PART NO.	DESCRIPTION	W005	W007	W010	REFERENCE NO.
1	1	P10202-100	RETAINING RING	X	X	X	12-R100S000
2	1	11-5033S000	SPRING	X	X	X	10-450-33
3	1	P11003-210	O-RING	X	X	X	12-6227N015S
4	1	12-0440S812	CHECK BALL	X	X	X	
5	1	11-5035S000	FITTING-INLET	X	X	X	10-450-35
6	1	11-5034S003	BALL GUIDE	X	X	X	10-450-34-3
7	1	11-5032S000	SPRING GUIDE	X	X	X	10-450-32
8	1	11-5028N000	GASKET	X	X	X	10-450-28
9	2	P11227-029	BACK-UP	X			12-8774T029
9	2	P11227-222	BACK-UP		X		12-8774T027
9	2	P11227-217	BACK-UP			X	12-8774T022
10	1	11-5051P000	PISTON BUMPER	X	X	X	10-450-51
11	1	12-25N87WF1Z	FENDER WASHER	X	X	X	
12	1	12-25F37SBC45Z	BUTTON HEAD CAP SCREW	X	X	X	
13	1	P10212-025	HELICAL SPRING LOCK WASHER	X	X	X	12-5001C407
14	1	11-5010S005	HYDRAULIC PISTON	X			10-450-10-.5
14	1	11-5010S007	HYDRAULIC PISTON		X		10-450-10-.65
14	1	11-5010S010	HYDRAULIC PISTON			X	10-450-10-1
15	1	P11000-223	O-RING, BUNA	X			12-6230N001
15	1	P11000-222	O-RING, BUNA		X		12-6227N027
15	1	P11000-217	O-RING, BUNA			X	12-6227N022
16	1	11-5011B005	HYDRAULIC CYLINDER	X			10-450-11-.5
16	1	11-5011B007	HYDRAULIC CYLINDER		X		10-450-11-.65
16	1	11-5011B010	HYDRAULIC CYLINDER			X	10-450-11-1
17	1	11-5034S002	BALL GUIDE	X	X	X	10-450-34-2
18	1	11-5017S000	SPRING GUIDE	X	X	X	10-450-17
19	1	11-5020S000	FITTING-OUTLET	X	X	X	10-450-20
20	1	P10202-068	RETAINING RING	X	X	X	12-R068S000
21	1	11-5013S000	SPRING	X	X	X	10-450-13
22	1	12-0440S562	CHECK BALL	X	X	X	
23	1	P11003-112	O-RING	X	X	X	12-6227N010S

WHERE USED: 10-5000W005\_W010  
10-5000W005L\_W010L