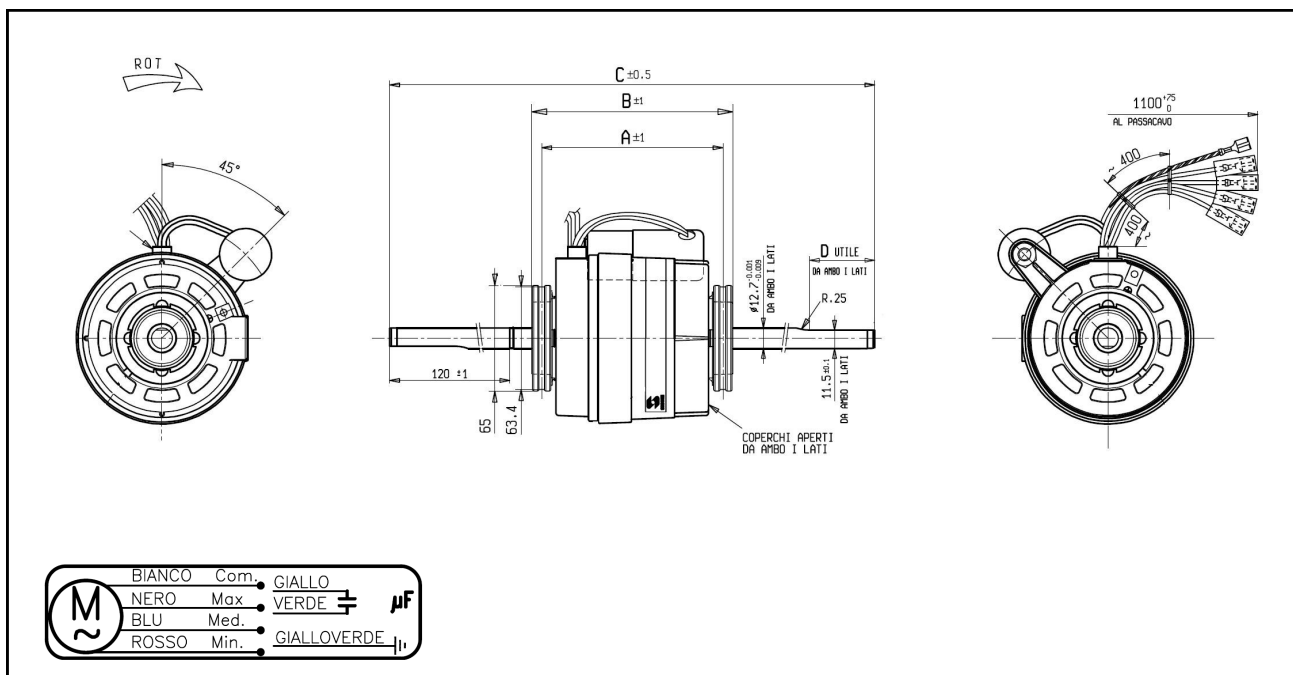
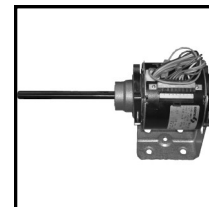


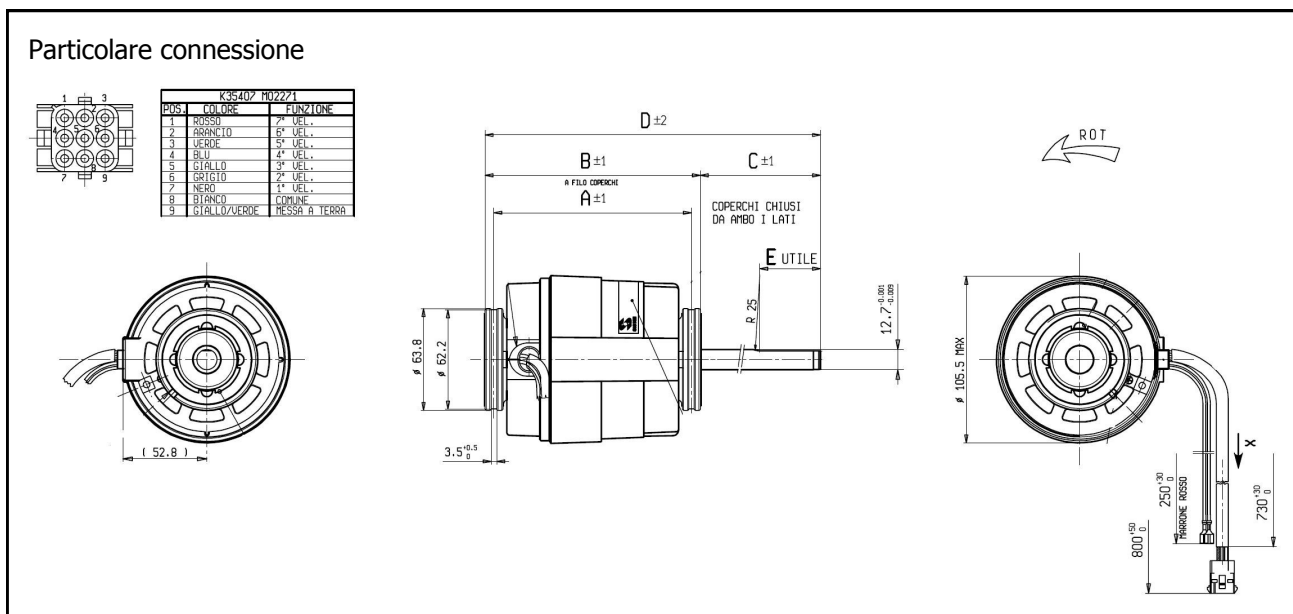
# SERIE K35

MOTORI PER FAN COIL A 3/7 VELOCITA' 4 E 6 POLI

FAN COIL MOTORS 3/7 SPEED 4 AND 6 POLES



Modello	W	V/HZ	A	RPM	C mF	N. Vel	A	B	C	D
<b>K35410MO2229</b>	32/90	230/50	0.4	1100	2.5	3	113	120	570	105
<b>K35610MO2228</b>	18/47	230/50	0.21	850	2	3	113	120	570	105



Modello	W	V/HZ	A	RPM	C mF	N. Vel	A	B	C	D	E
<b>K35407MO2271 EX MO1479</b>	17	230/50	0.30	875	1.5	7	124	133.2	177	310	40